

KESLA 2014Z, 2014ZT**Sisällysluettelo \ Innehållsförteckning \ Contents \ Inhaltsverzeichnis**

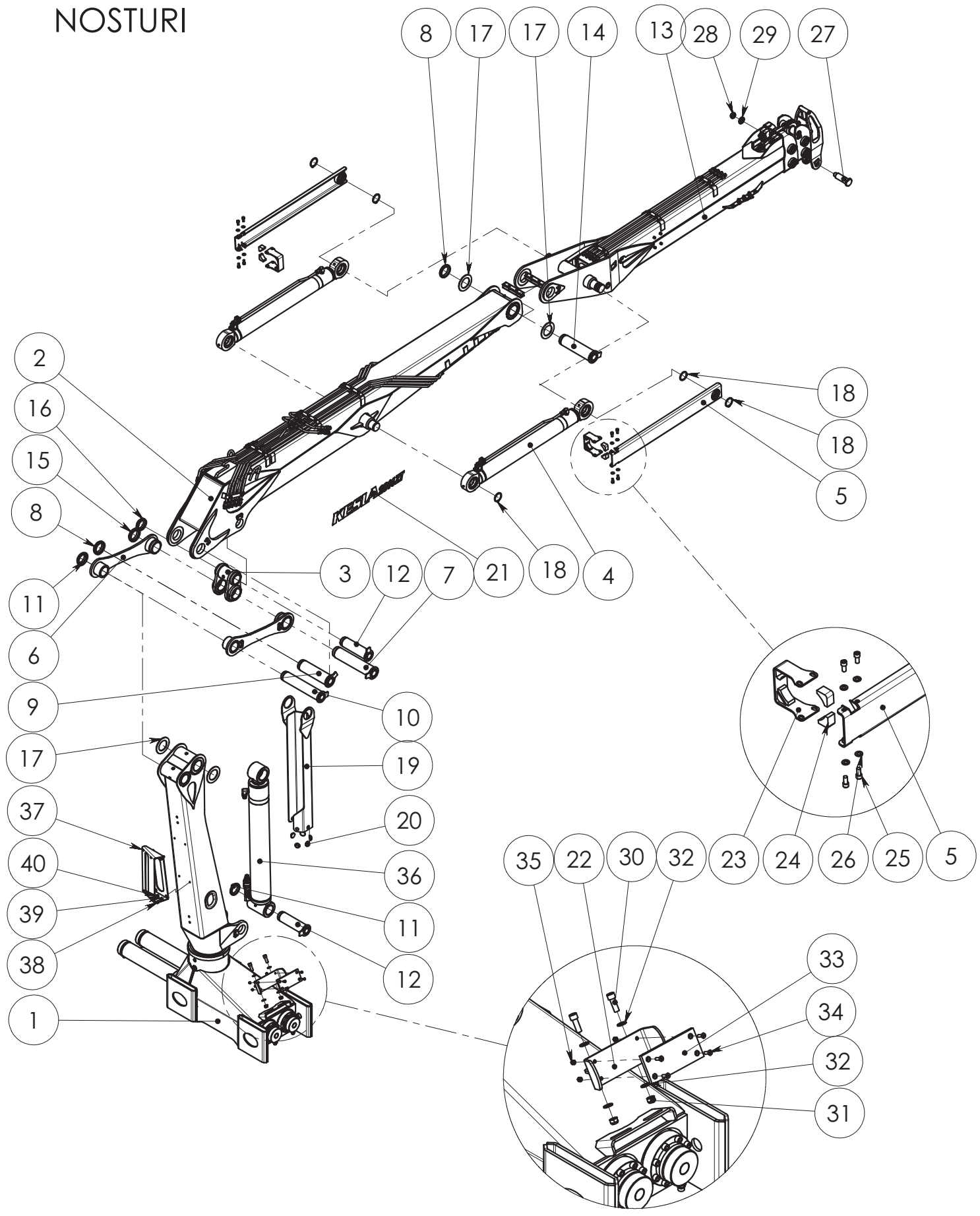
Pääkokooppaano \ Sammansättning \ Final assembly \ Zusammensetzung	1
Käntölaite \ Vridanordning \ Slew mechanism \ Schwenkwerk	4
Nostopuomi \ Lyftbom \ Main lifting boom \ Hubarm	6
Siirtopuomisto KESLA 2014Z \ Vipparm KESLA 2014Z \ Outer boom KESLA 2014Z \ Knickarm KESLA 2014Z	8
Siirtopuomisto KESLA 2014ZT \ Vipparm KESLA 2014ZT \ Outer boom KESLA 2014ZT \ Knickarm KESLA 2014ZT	11
Tukijalkavarustus \ Stödbensutrustning \ Stabilizers \ Stützfußausrüstung	14
Vetotanko varusteltuna \ Dragstång \ Inner link assy \ Mittleres Gelenk	17
Siirtopuomiston ketju \ Kedja \ Chain \ Kette kompl. \ 3x4 (77)	19
Siirtopuomiston ketju \ Kedja \ Chain \ Kette kompl. \ 3x4 (87)	21
Nostosylinteri varusteltuna \ Lyftcylinder utrustning \ Accessories for main lifting cylinder \ Ausrüstung für Hubzylinder	23
Nostosylinteri \ Lyftcylinder \ Main lifting cylinder \ Hubzylinder.....	25
Siirtosylinteri varusteltuna \ Vippcylinder utrustning \ Accessories for outer boom cylinder \ Ausrüstung für Knickarmzylinder.....	27
Siirtosylinteri \ Vippcylinder \ Outer boom cylinder \ Knickarmzylinder.....	29
Jatkeen sylinteri varusteltuna \ Utskjutscylinder utrustning \ Extension cylinder Accessories for \ Ausschubzylinder Ausrüstung für \ KESLA 2014Z.....	31
Jatkeen sylinteri \ Utskjutscylinder \ Extension cylinder \ Ausschubzylinder \ KESLA 2014Z	33
Jatkeen sylinteri \ Utskjutscylinder \ Extension cylinder \ Ausschubzylinder \ KESLA 2014ZT	35
Tukijalkojen levityssylinteri \ Spridningscylinder \ Spreading cylinder \ Ausschubzylinder für Stützfüsse	37
Tukijalan sylinteri kok.oikea \ Stödbenscylinder höger \ Stabilizer cylinder right \ Stützfußcylinder rechts	39
Tukijalan sylinteri kok.vasen \ Stödbenscylinder vänster \ Stabilizer cylinder left \ Stützfußcylinder links	41

KESLA 2014Z, 2014ZT**Sisällysluettelo\Innehållsförteckning\Contents \Inhaltsverzeichnis**

Tukijalan sylinteri \ Stödbenscylinder \ Stabilizer cylinder \ Stützfußcylinder	43
Riipuke varusteltuna \ Rotatorlänk \ Rotator link \ Rotatorgelenk	45
Painesuodatin \ Tryckfilter \ Pressure filter \ Druckfilter	47
Hallintalaite adapteri \ Styrningsanordning adapter \ Control unit adapter\ Bedienungsanordning adapter	49
Suodatinteline \ Tryckfilter ställ \ Pressure filter holder \ Druckfilter gestell	51
Hallintalaitteet \ Styrningsanordning \ Control unit \ Bedienungsanordning	

90000301

NOSTURI





SPARE PART LIST

Item code	90000301	Revision	-
Title	CRANE	Date	24.10.2006
Specification	L=9350		

Pos	Item code	Title	Specification	Pc	Nto Weight
1	90021009	SLEW MECHANNISM	31 kNm	1	840.18
2	90021178	LIFT BOOM	L=3590 OPEN TYPE	1	346.4
3	90020965	LINK	VAR	1	13.69
4	90023631	CYLINDER	100/70X880 VAR	2	78.16
5	90021152	COVER	HITS+KON	2	9.62
6	90020976	LINK	KONEISTUS	2	13.01
7	90021059	AXLE	90-437 HITS	1	15.05
8	3020177	NUT	KM17 NYLOC M85X2	3	0.44
9	90020768	AXLE	90/M85X2-337	1	11.62
10	90021057	AXLE	80-435 HITS	1	11.71
11	3020158	NUT	KM15 NYLOC M75X2	3	0.35
12	90020764	AXLE	80/M75X2-300	2	8.07
13	90021176	BOOM	L=6000	1	428.17
14	90021106	AXLE	90/M85X2 -360	1	12.41
15	90020815	WASHER	112/91-6	3	0.16
16	90013697	WASHER	100/81-6	1	0.13
17	90020813	BEARING	142/90,5-5	4	0.05
18	3060104	SNAP RING	AS 70X4 DIN 471	6	0
19	90021162	COVER	NOSTOSYL.	1	19.91
20	90013832	GLIDE PAD	40-14	5	0.01
21	3281267	DECAL	2014ZT (100X822)	2	0.07
22	90021164	SUPPORT	HITS	1	2.98
23	90021156	FASTENER	HITS	2	0.98
24	90023630	GLIDE PAD	12.5/45X30	8	0.05
25	3010239	SCREW	M12X25 8.8 ZN DIN 912	8	0
26	3030096	WASHER	M12 ZN DIN 125	8	0.01
27	90013105	AXLE	45-164	1	1.94
28	3020144	NUT	M30X1.5 ZN NYLOC	1	0.1
29	90013106	WASHER	56/31-8	1	0.08
30	3010273	SCREW	M16X45 8.8 DIN 912	2	0
31	3020010	NUT	M16 ZN DIN 985	2	0.03
32	3030006	WASHER	M16/17 ZN DIN 125	4	0.01
33	90018948	GLIDE PAD	100 X 220	1	0.23
34	3010176	SCREW	M8X30 10.9 ZN DIN 7991	4	0
35	3020001	NUT	M8 ZN DIN 985	4	0.01
36	90021434	CYLINDER	140 / 90 X 970 VARUSTELU	1	41.55



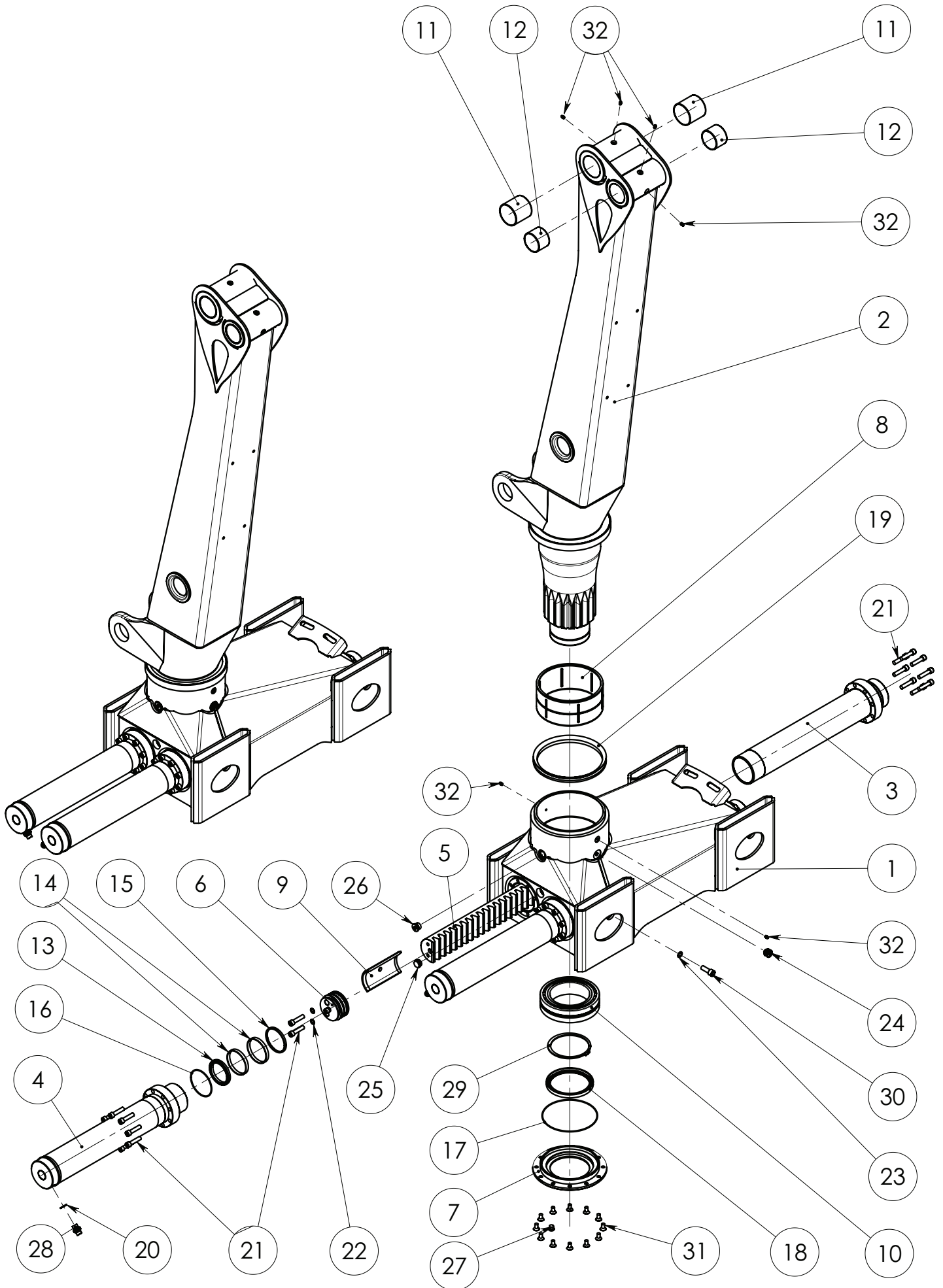
SPARE PART LIST

Item code	90000301	Revision	-
Title	CRANE	Date	24.10.2006
Specification	L=9350		

Pos	Item code	Title	Specification	Pc	Nto Weight
37	90021271	FASTENER	HITS	1	3561.31
38	3010246	SCREW	M12X30 8.8 ZN DIN 912	4	0
39	3030047	WASHER	M12/13 ZN DIN 126	4	0.01
40	3020005	NUT	M12 ZN DIN 985	4	0.02

90021009

KÄÄNTÖLAITE





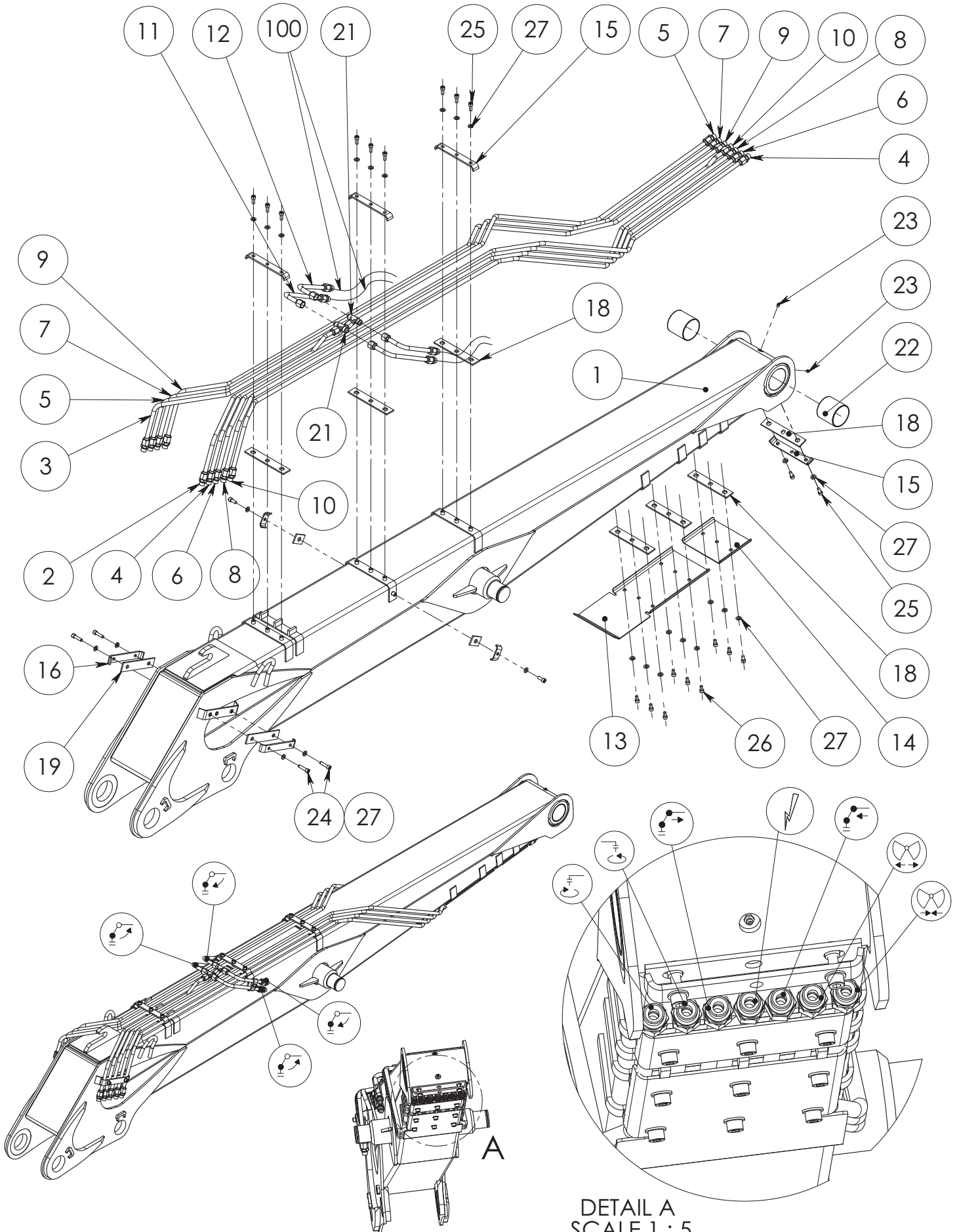
SPARE PART LIST

Item code	90021009	Revision	-
Title	KÄÄNTÖLAITE	Date	17.02.2006
Specification			

Pos	Item code	Title	Specification	Dimensions	Pc	Amount	Unit	Nto Weight
1	90021008	RUNKO RAM FRAME RAHMEN	KONEISTUS		1			292.93
2	90020935	PYLVÄS PELARE PILLAR SÄULE	KONEISTUS		1			350.84
3	90020946	SYLINTERI CYLINDER ZYLINDER			2			23.02
4	90020944	SYLINTERI CYLINDER ZYLINDER			2			22.26
5	90020941	HAMMASTANKO KUGGSTANG RACK BAR ZAHNSTANGE		L=864	2			33.7
6	90020632	MÄNTÄ KOLV PISTON KOLBEN		L=91	4			3.65
7	90020924	LAIPPA FLÄNS FLANGE FLANSCH		306x306	1			4.68
8	90014957	HOLKKI HYLSA SLEEVE ACHSHALTER	270/250-120	L=72	1			1.1
9	90020949	LAAKERI LAGER BEARING LAGER	110-193	L=195	2			0.23
10	3100247	LAAKERI LAGER BEARING LAGER	23032 CC/W33		1			9.05
11	3100382	LAAKERI LAGER BEARING LAGER	WB 802		2			0.51
12	3100226	LAAKERI LAGER BEARING LAGER	WB 802 8060		2			0.3
13	3110194	TIIVISTE TÄTNIING SEAL DICHTUNG	T18 110/90X12.2		4			0.24
14	3110566	OHJAIN STYRNING GUIDANCE STEUERUNG	E/PWR 110/104X1.3		8			0.1
15	3110567	TIIVISTE TÄTNIING SEAL DICHTUNG	PPW 110/101.4X5.3		4			0.07
16	3110400	TIIVISTE TÄTNIING SEAL DICHTUNG	O 114.5 X 3.0 90 SHORE		4			0.02
17	3110771	TIIVISTE TÄTNIING SEAL DICHTUNG	O 219.5X3.0 70 SH		1			0.04
18	3110878	TIIVISTE TÄTNIING SEAL DICHTUNG	AS D160/190X15 DIN 3760		1			0.53
19	3110564	TIIVISTE TÄTNIING SEAL DICHTUNG	VA-275		1			1.52
20	3110042	TIIVISTE TÄTNIING SEAL DICHTUNG	USIT R-08 (R1/2")		4			0.01
21	3010601	RUUVI SKRUV SCREW SCHRAUBE	KKR M14X60 12.9 DIN 912		40			0
22	3030080	TIIVISTE TÄTNIING SEAL DICHTUNG	CU M14		8			
23	3110040	TIIVISTE TÄTNIING SEAL DICHTUNG	USIT R-06 (R 3/8")		2			0
24	3091042	HUOHOTIN FLÄMVENTIL BREATHER ENTLÜFTER	R1/4" SFV. 1/4-100 MB		1			0.11
25	3090294	OSOITIN VISARE INDICATOR ANZEIGER	R 3/4" HFTX-20		1			0.01
26	3090209	TULPPA PLUGG PLUG DECKEL	HF-3/4"		1			0.08
27	3090210	TULPPA PLUGG PLUG DECKEL	HF-3/8"		1			0.03
28	3090019	LIITIN KOPPLINGSSTYCKE CONNECTOR KONNEKTOR	O4000-08 (R1/2")		4			0.1
29	3060050	PIDÄTINRENGAS LÄSRING SNAPRING SPRENGRING	160X4 DIN 471		1			0
30	3010273	RUUVI SKRUV SCREW SCHRAUBE	KKR M16X45 8.8 DIN 912		2			0
31	3010315	RUUVI SKRUV SCREW SCHRAUBE	KKR M12X25 10.9 ZN DIN 7991		12			0
32	3050003	RASVANIPPA SMÖRJNIPPEL GREASE NIPPLE SCHMIERNIPPEL	M8X1.25 DIN 71412		6			0
SRJ	3110568	TIIVISTE TÄTNIING SEAL DICHTUNG	SARJA D=110		1		sfj	

90021178

NOSTOPUOMI

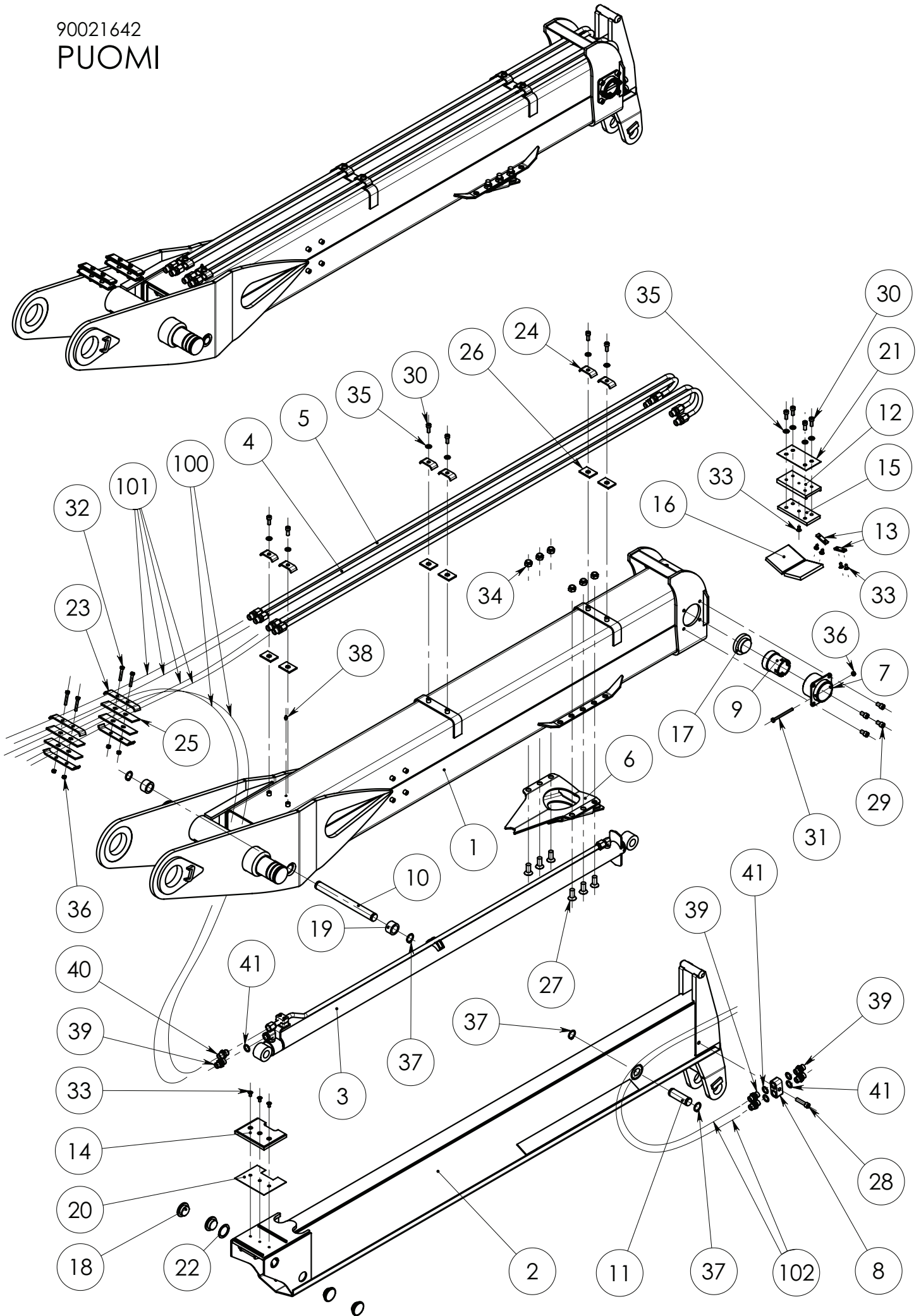


Item code	90021178	Revision	-
Title	LIFT BOOM	Date	11.10.2006
Specification	L=3590 OPEN TYPE		

Pos	Item code	Title	Specification	Pc	Nto Weight
1	90021128	LIFT BOOM	L=3590	1	313.44
2	90021180	PIPE	1 RIGHT KOK	1	1.28
3	90021181	PIPE	1 LEFT KOK	1	1.33
4	90021184	PIPE	2 RIGHT KOK	1	2.98
5	90021186	PIPE	2 LEFT KOK	1	2.98
6	90021188	PIPE	3 RIGHT KOK	1	2.98
7	90021190	PIPE	3 LEFT KOK	1	2.96
8	90021192	PIPE	4 RIGHT KOK	1	2.31
9	90021194	PIPE	4 LEFT KOK	1	2.93
10	90021197	PIPE	5 RIGHT KOK (SÄHKÖ)	1	2.91
11	90018994	PIPE	6 KOK	2	21.2
12	90018995	PIPE	7 KOK	2	21.15
13	90021486	COVER		1	3.11
14	90018973	FASTENER		1	0.99
15	90013744	FASTENER		4	0.32
16	90022330	FASTENER	6X30-250	2	0.3
17	90010442	FASTENER	LT4X30-72	2	0.07
18	90013489	RUBBER	5X40X220	7	0.06
19	90021961	RUBBER	5X40-190	2	0.05
20	90010443	RUBBER	5X55-40	2	0.01
21	3090459	CONNECTOR	1210-10-10-10	2	0.21
22	3100382	BEARING	WB 802 9090	2	0.51
23	3050003	GREASE NIPPLE	M8X1,25 DIN 71412	2	0
24	3010249	ALLEN SCREW	M10X40 8.8 ZN DIN 912	4	0
25	3010685	SCREW	M10X25 8.8 ZN DIN 912	13	0
26	3010192	SCREW	M10X20 8.8 ZN DIN 912	9	0
27	3030003	WASHER	M10/11 ZN DIN 126	26	0
100	3130523	HOSE	5201-08/HI-98C-08/5201-08/L=500	4	

90021642

PUOMI





SPARE PART LIST

Item code	90021642	Revision	-
Title	PUOMI	Date	27.02.2007
Specification	1-JATK		

Pos	Item code	Title	Specification	Dimensions	Pc	Amount	Unit	Nto Weight
1	90021331	PUOMI BOM BOOM ARM	KONESTUS		1			213.24
2	90021384	JATKE UTSJKJUT EXTENSION AUSSCHUB	HITS+KON		1			105.95
3	90021354	SYLINTERI CYLINDER ZYLINDER	50/30 X 1650		1			6.54
4	90021405	PUTKI RÖR PIPE ROHR	1 KOK		2			2.27
5	90021407	PUTKI RÖR PIPE ROHR	2 KOK		2			2.27
6	90021531	TELINE STÄLL RACK GESTELL	HITS		1			5.06
7	90021394	KIINNIKE FÄSTE FASTENER BEFESTIGUNG	HITS		2			1.31
8	90021408	LIITIN KOPPLINGSSTYCKE CONNECTOR KONNEKTOR	R 1/2"	72x32	2			0.35
9	90021396	KIINNIKE FÄSTE FASTENER BEFESTIGUNG		L=82	2			0.85
10	90018765	AKSELI AXEL AXLE ACHSE	30-304	L=216	1			1.68
11	90021399	AKSELI AXEL AXLE ACHSE	30X96	L=216	1			0.53
12	90014762	KIINNIKE FÄSTE FASTENER BEFESTIGUNG		L=182	1			1.01
13	90010345	PIDIKE FÄSTE HOLDER GESTELL		52x15	2			0.03
14	90014887	LIUKUPALA GLIDKLACK GLIDE PAD GLEITLAGER	120X155	155x120	1			0.24
15	90014766	LIUKUPALA GLIDKLACK GLIDE PAD GLEITLAGER	50X130	155x70	1			0.12
16	90014768	LIUKUPALA GLIDKLACK GLIDE PAD GLEITLAGER	12 X 90 X 120	120x90	2			0.15
17	90021397	LIUKUPALA GLIDKLACK GLIDE PAD GLEITLAGER	56X80-15X15	L=20	2			0.13
18	90011001	LIUKUPALA GLIDKLACK GLIDE PAD GLEITLAGER	D=55-19/7	L=20	4			0.03
19	90021928	HOLKKI HYLISA SLEEVE ACHSHALTER	45/31-26	L=28	2			0.02
20	90017085	LEVY PLÅT PLATE PLATTE	119X155	155x119	1			0.13
21	90015124	LEVY PLÅT PLATE PLATTE	80 X 155	155x80	1			0.09
22	21039422	ALUSLEVY BRICKA WASHER UNTERLEGSCHIBE	1XD=55	55x55	1			0.01
23	90015071	KIINNIKE FÄSTE FASTENER BEFESTIGUNG	4X30-173	L=173	4			0.16
24	90010442	KIINNIKE FÄSTE FASTENER BEFESTIGUNG	LT4X30-72	L=72	6			0.07
25	90015157	KUMI GUMMI RUBBER GUMMI	5X40-165	165x40	4			
26	90010443	KUMI GUMMI RUBBER GUMMI		55x40	6			0.01
27	3010633	RUUVI SKRUV SCREW SCHRAUBE	KKR M16X40 10.9 DIN 7991		6			0
28	3010580	RUUVI SKRUV SCREW SCHRAUBE	KKR M12X50 8.8 ZN DIN 912		2			0
29	3010604	RUUVI SKRUV SCREW SCHRAUBE	KKR M12X20 8.8 DIN 912		8			0
30	3010685	RUUVI SKRUV SCREW SCHRAUBE	KKR M10X25 8.8 DIN 912 ZN		10			0
31	3010447	RUUVI SKRUV SCREW SCHRAUBE	KR M8 X 100 8.8 ZN DIN 931		2			0
32	3010072	RUUVI SKRUV SCREW SCHRAUBE	KR M8 X 50 8.8 ZN DIN 931		4			0
33	3010190	RUUVI SKRUV SCREW SCHRAUBE	KKR M8X16 10.9 DIN 7991		8			0
34	3020010	MUTTERI MUTTER NUT MUTTER	KM M16 ZN DIN 985		6			0
35	3030003	ALUSLEVY BRICKA WASHER UNTERLEGSCHIBE	M10/11 ZN DIN 126		10			0
36	3020001	MUTTERI MUTTER NUT MUTTER	KM M8 ZN DIN 985		6			0



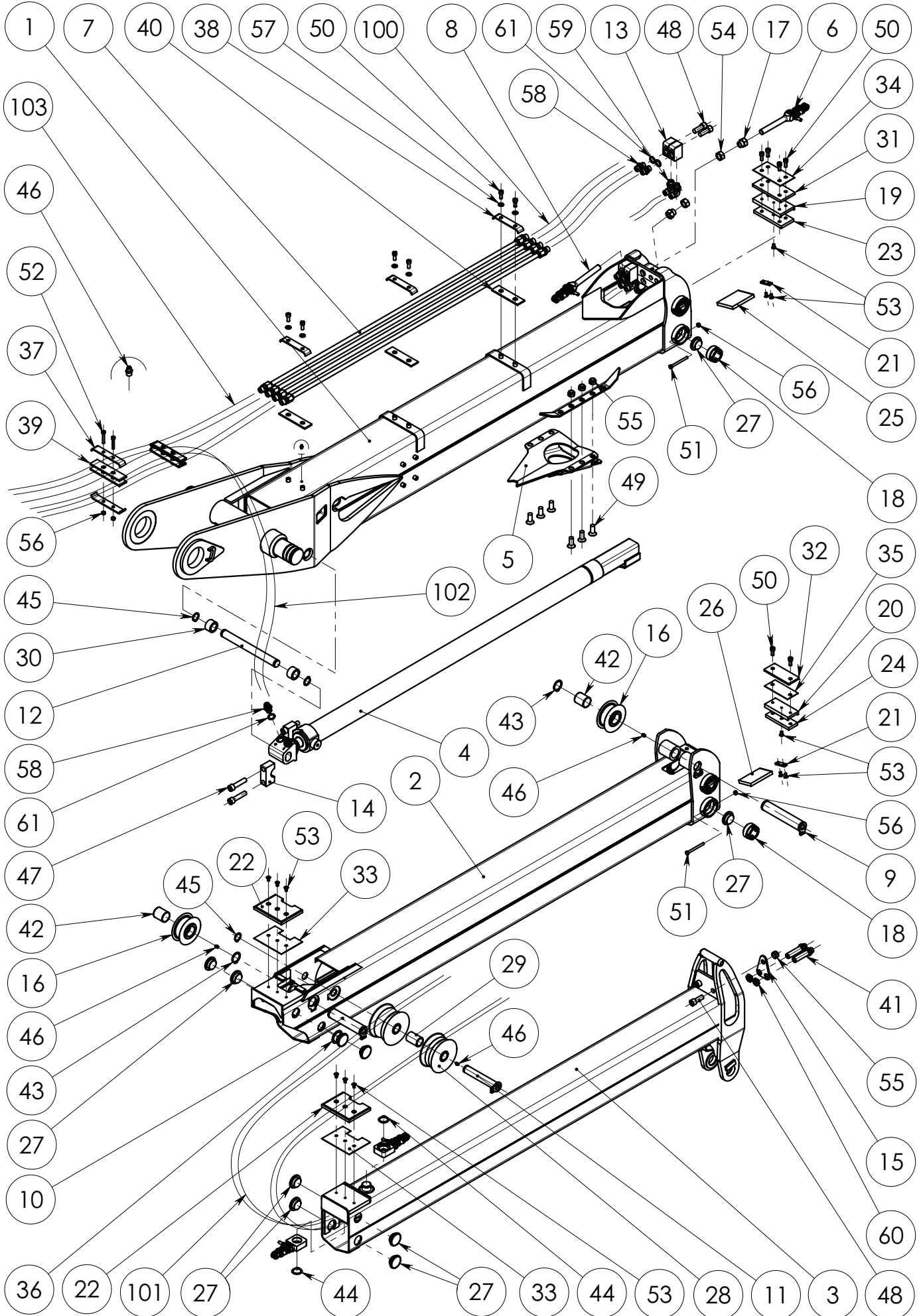
SPARE PART LIST

Item code	90021642	Revision	-
Title	PUOMI	Date	27.02.2007
Specification	1-JATK		

Pos	Item code	Title	Specification	Dimensions	Pc	Amount	Unit	Nto Weight
37	3060092	PIDÄTINRENGAS LÄSRING SNAPRING SPRENGRING	A330X2 DIN 471		4			0
38	3050003	RASVANIPPA SMÖRJNIPPEL GREASE NIPPLE SCHMIERNIPPEL	M8X1,25 DIN 71412		1			0
39	3090019	LIITIN KOPPLINGSSTYCKE CONNECTOR KONNEKTOR	04000-08 (R1/2")		9			0.1
40	3090917	LIITIN KOPPLINGSSTYCKE CONNECTOR KONNEKTOR	26-04001-08-10JIC (R1/2" - 7/8" JIC)		1			0.11
41	3110042	TIIVISTE TÄTINING SEAL DICHTUNG	USIT R-08 (R1/2")		9			0.01
100	3132581	LETKU SLANG HOSE SCHLAUCH	5601-08/HI33-08/5660-08, L=1100		2			
101	3132582	LETKU SLANG HOSE SCHLAUCH	5601-08/HI33-08/5601-08, L=1000		4			
102	3132530	LETKU SLANG HOSE SCHLAUCH	5701-08/241X-08/5701-08,L=2240		4			

90021176

PUOMI





SPARE PART LIST

Item code	90021176	Revision	-
Title	PUOMI	Date	19.09.2007
Specification	2-JATK		

Pos	Item code	Title	Specification	Dimensions	Pc	Amount	Unit	Nto Weight
1	90021127	PUOMI BOM BOOM ARM	KONESTUS		1			211.79
2	90021134	JATKE UTSKJUT EXTENSION AUSSCHUB	1 HITS		1			93.91
3	90021147	JATKE UTSKJUT EXTENSION AUSSCHUB	2 HITS		1			71.21
4	28658001	SYLINTERI CYLINDER ZYLINDER	70/40-1450		1			7.91
5	90021531	TELINE STÄLL RACK GESTELL	HITS		1			5.06
6	90021171	KETJU KEDJIA CHAIN KETTE	3X4 (77 LENKKIÄ) KOK		1			1.81
7	90021148	PUTKI RÖR PIPE ROHR			4			1.62
8	90021172	KETJU KEDJIA CHAIN KETTE	3X4 (87 LENKKIÄ) KOK		1			1.82
9	90022104	AKSELI AXEL AXLE ACHSE	40-211 HITS		1			2.05
10	90022102	AKSELI AXEL AXLE ACHSE	40-179 HITS		1			1.74
11	90019107	AKSELI AXEL AXLE ACHSE	30-183		1			0.97
12	90018765	AKSELI AXEL AXLE ACHSE	30-304	L=216	1			1.68
13	90019105	LIITIN KOPPLINGSSTYCKE CONNECTOR KONNEKTOR		65x45	4			0.51
14	90019106	KANSI DÄCK COVER DECKEL		90x50	2			0.67
15	90019118	KIINNIKE FÄSTE FASTENER BEFESTIGUNG		103x70	2			0.2
16	90021697	PYÖRÄ HJUL WHEEL RAD	R1", 3X4	L=53	2			1.96
17	90017520	MUTTERI MUTTER NUT MUTTER	M20-30	L=32	2			0.09
18	90016090	KIINNIKE FÄSTE FASTENER BEFESTIGUNG		L=37	8			0.35
19	90014762	KIINNIKE FÄSTE FASTENER BEFESTIGUNG		L=182	1			1.01
20	90014763	KIINNIKE FÄSTE FASTENER BEFESTIGUNG		L=132	1			0.65
21	90010345	PIDIKE FÄSTE HOLDER GESTELL		52x15	4			0.03
22	90014887	LIUKUPALA GLIDKLACK GLIDE PAD GLEITLAGER	120X155	155x120	2			0.24
23	90014766	LIUKUPALA GLIDKLACK GLIDE PAD GLEITLAGER	50X130	155x70	1			0.12
24	90014770	LIUKUPALA GLIDKLACK GLIDE PAD GLEITLAGER	50X130	130x50	1			0.07
25	90014768	LIUKUPALA GLIDKLACK GLIDE PAD GLEITLAGER	12 X 90 X 120	120x90	2			0.15
26	90012374	LIUKUPALA GLIDKLACK GLIDE PAD GLEITLAGER	70X 120	120x70	2			0.1
27	90011001	LIUKUPALA GLIDKLACK GLIDE PAD GLEITLAGER	D=55-19/7	L=20	16			0.03
28	90019125	RULLA RULLE ROLL ROLLE		L=27	4			0.32
29	90019109	HOLKKI HYLSA SLEEVE ACHSHALTER	40/31-57	L=59	1			0.03
30	90021928	HOLKKI HYLSA SLEEVE ACHSHALTER	45/31-26	L=28	2			0.02
31	90019137	LEVY PLÅT PLATE PLATTE		L=160	1			0.97
32	90021177	LEVY PLÅT PLATE PLATTE		140x60	1			0.38
33	90017085	LEVY PLÅT PLATE PLATTE	119X155	155x119	2			0.13
34	90015124	LEVY PLÅT PLATE PLATTE	80 X 155	155x80	1			0.09
35	90015142	LEVY PLÅT PLATE PLATTE	60 X 130	130x60	1			0.06
36	21039422	ALUSLEVY BRICKA WASHER UNTERLEGSCHEIBE	1XD=55	55x55	1			0.01



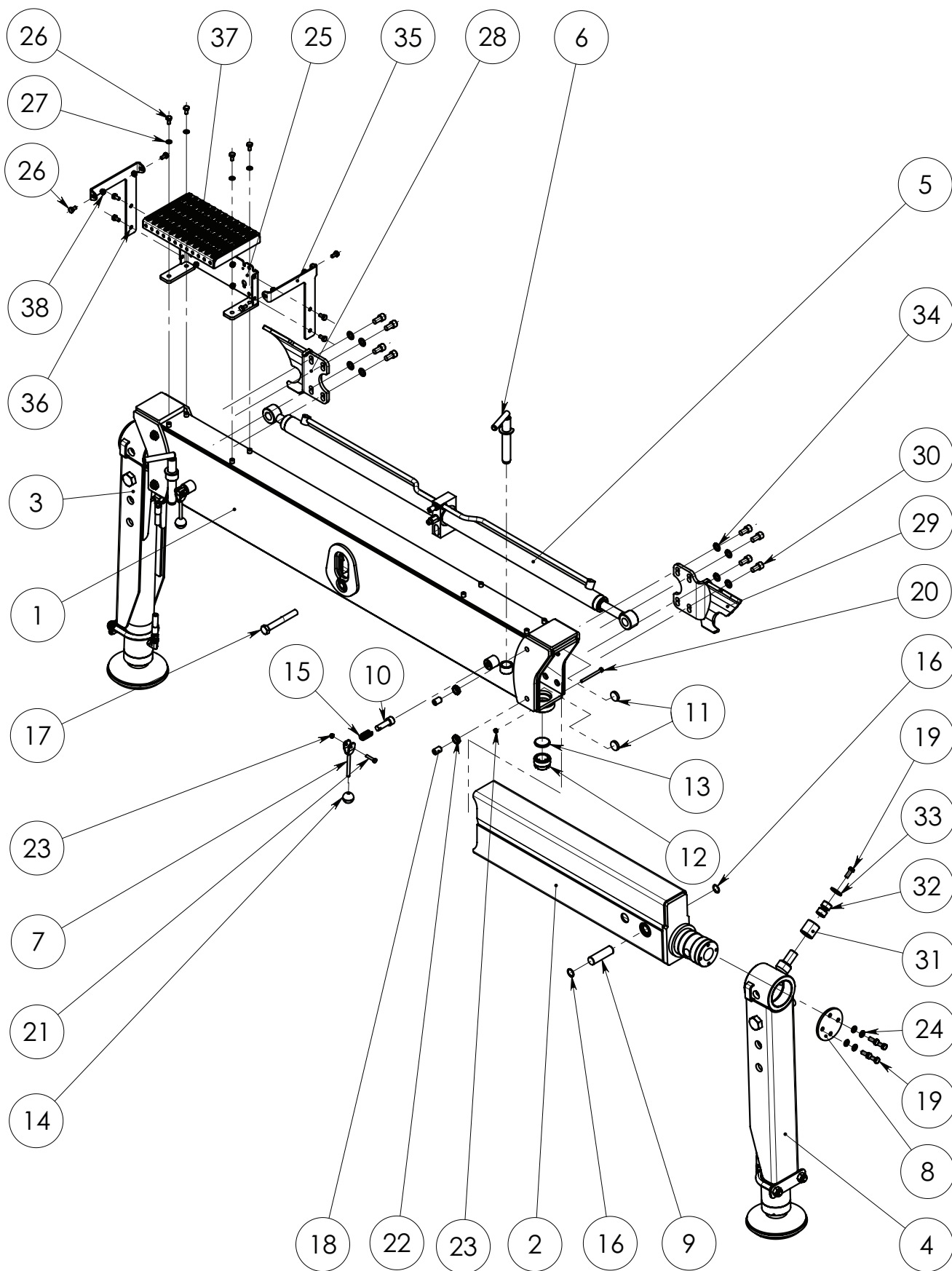
SPARE PART LIST

Item code	90021176	Revision	-
Title	PUOMI	Date	19.09.2007
Specification	2-JATK		

Pos	Item code	Title	Specification	Dimensions	Pc	Amount	Unit	Nto Weight
37	90015071	KIINNIKE FÄSTE FASTENER BEFESTIGUNG	4X30-173	L=173	4			0.16
38	90012248	KIINNIKE FÄSTE FASTENER BEFESTIGUNG	4X30-152	L=152	3			0.14
39	90015157	KUMI GUMMI RUBBER GUMMI	5X40-165	165x40	4			
40	90010444	KUMI GUMMI RUBBER GUMMI	5X40-145	145x40	3			
41	90012327	LIITIN KOPPLINGSSTYCKE CONNECTOR KONNEKTOR	R 1/2" EP (L=100)	L=100	4			0.19
42	3100188	LAAKERI LAGER BEARING LAGER	WB 802 4050		2			0.1
43	3060100	PIDÄTINRENGAS LÄSRING SNAPRING SPRENGRING	AS 40X2.5 DIN 471		2			0
44	3060091	PIDÄTINRENGAS LÄSRING SNAPRING SPRENGRING	AS 35X2.5 DIN 471		2			0
45	3060092	PIDÄTINRENGAS LÄSRING SNAPRING SPRENGRING	AS30X2 DIN 471		3			0
46	3050003	RASVANIPPA SMÖRJNIPPEL GREASE NIPPLE SCHMIERNIPPEL	M8X1,25 DIN 71412		4			0
47	3010277	RUUVI SKRUV SCREW SCHRAUBE	KKR M16 X 70 12.9 ZN DIN 912		4			0
48	3010273	RUUVI SKRUV SCREW SCHRAUBE	KKR M16X45 8.8 DIN 912		6			0
49	3010633	RUUVI SKRUV SCREW SCHRAUBE	KKR M16X40 10.9 DIN 7991		6			0
50	3010685	RUUVI SKRUV SCREW SCHRAUBE	KKR M10X25 8.8 DIN 912 ZN		12			0
51	3010328	RUUVI SKRUV SCREW SCHRAUBE	KR M8 X 90 8.8 ZN DIN 931		8			0
52	3010072	RUUVI SKRUV SCREW SCHRAUBE	KR M8 X 50 8.8 ZN DIN 931		4			0
53	3010190	RUUVI SKRUV SCREW SCHRAUBE	KKR M8X16 10.9 DIN 7991		16			0
54	3020032	MUTTERI MUTTER NUT MUTTER	KM M20 ZN DIN 934/8		2			0
55	3020010	MUTTERI MUTTER NUT MUTTER	KM M16 ZN DIN 985		8			0
56	3020001	MUTTERI MUTTER NUT MUTTER	KM M8 ZN DIN 985		12			0
57	3030003	ALUSLEVY BRICKA WASHER UNTERLEGSCHIBE	M10/11 ZN DIN 126		6			0
58	3090019	LIITIN KOPPLINGSSTYCKE CONNECTOR KONNEKTOR	04000-08 (R1/2")		6			0.1
59	3090428	LIITIN KOPPLINGSSTYCKE CONNECTOR KONNEKTOR	26-04500-08		4			0.17
60	3090300	MUTTERI MUTTER NUT MUTTER	1270-08 ZN (R1/2")		4			0.02
61	3110042	TIIVISTE TÄTNIING SEAL DICHTUNG	USIT R-08 (R1/2")		6			0.01
100	3130523	LETKU SLANG HOSE SCHLAUCH	5201-08/HI-98C-08/5201-08/L=500		4			
101	3132478	LETKU SLANG HOSE SCHLAUCH	5701-08/TRELLPACK2/5701-08/L=4050		4			
102	3132582	LETKU SLANG HOSE SCHLAUCH	5601-08/HI33-08/5601-08, L=1000		4			
103	3132583	LETKU SLANG HOSE SCHLAUCH	5601-08/HI33-08/5660-08, L=1150		2			

90021229

TUKI





SPARE PART LIST

Item code	90021229	Revision	-
Title	TUKI	Date	30.10.2006
Specification	JALKAVAR		

Pos	Item code	Title	Specification	Dimensions	Pc	Amount	Unit	Nto Weight
1	90021222	PALKKI BALK BEAM BALKEN	HITS		1			139.1
2	90021227	VARSIPAKSTÄNG STEERINGARM GRIFF	HITS		2			47.04
3	90020725	JALKA FOT FOOT FUSS	OIKEA KOK		1			88.57
4	90020765	JALKA FOT FOOT FUSS	VASEN KOK		1			33.08
5	28772001	SYLINTERI CYLINDER CYLINDER ZYLINDER	50/30 X 2 X 650		1			8.21
6	90011249	AKSELI AXEL AXLE ACHSE	HITS		2			1.43
7	90012844	VIPU SPAK LEVER HEBEL	HITS		2			0.16
8	90011250	LAIPPA FLÄNS FLANGE FLANSCH	145X145		2			0.73
9	90013050	AKSELI AXEL AXLE ACHSE	30-102	L=104	2			0.57
10	90012843	KARA SPINDEL SPINDLE SPINDEL	28/18-76	L=78	2			0.2
11	90020807	LIUKUPALA GLIDKLACK GLIDE PAD GLEITLAGER		L=8	4			0.01
12	90016090	KIINNIKE FÄSTE FASTENER BEFESTIGUNG		L=37	2			0.35
13	90020689	LIUKUPALA GLIDKLACK GLIDE PAD GLEITLAGER	40X55-7X5	L=20	2			0.03
14	3120453	NUPPI KNAPP KNOB KNOPF	52401 HI-FLEX		2			
15	3300533	JOUSI FJÄDER SPRING FEDER	SF-TF3/18/45/7.6/6.88		2			
16	3060019	PIDÄTINRENGAS LÅSRING SNAPRING SPRENGRING	30 DIN 472		4			0
17	3010049	RUUVI SKRUV SCREW SCHRAUBE	KR M20 X 150 8.8 ZN DIN 931		1			0
18	3010312	RUUVI SKRUV SCREW SCHRAUBE	KKR M20X30 10.9 ZN DIN 913		4			0
19	3010048	RUUVI SKRUV SCREW SCHRAUBE	KR M12 X 30 8.8 ZN DIN 933		10			0
20	3010447	RUUVI SKRUV SCREW SCHRAUBE	KR M8 X 100 8.8 ZN DIN 931		2			0
21	3010441	RUUVI SKRUV SCREW SCHRAUBE	KR M8 X 40 8.8 ZN DIN 931		2			0
22	3020014	MUTTERI MUTTER NUT MUTTER	KM M20 ZN DIN 936		4			0
23	3020001	MUTTERI MUTTER NUT MUTTER	KM M8 ZN DIN 985		4			0
24	3030096	ALUSLEVY BRICKA WASHER UNTERLEGSCHIBE	M12 DIN 125 ZN		8			0.01
25	90021029	KIINNIKE FÄSTE FASTENER BEFESTIGUNG	HITS		1			2.86
26	3010062	RUUVI SKRUV SCREW SCHRAUBE	KR M10 X 20 8.8 ZN DIN 933		12			0
27	3030065	ALUSLEVY BRICKA WASHER UNTERLEGSCHIBE	M10 ZN DIN 125		4			0
28	90021843	JOHDE LEDARE CABLE KONDUKTOR	OIKEA HITS		1			4.9
29	90021844	JOHDE LEDARE CABLE KONDUKTOR	VASEN HITS		1			4.9
30	3010700	RUUVI SKRUV SCREW SCHRAUBE	KKR M16 X 30 8.8 ZN DIN 912		8			0
31	90012841	HOLKKI HYLISA SLEEVE ACHSHALTER	50/34-50		2			0.41
32	3100124	LAAKERI LAGER BEARING LAGER	PM 3020 DX		4			0.03
33	3030122	ALUSLEVY BRICKA WASHER UNTERLEGSCHIBE	M12 ZN DIN 440		2			0
34	3030006	ALUSLEVY BRICKA WASHER UNTERLEGSCHIBE	M16/17 ZN DIN 125		8			0.01
35	90021030	KANNATIN HÄLLARE HOLDER HÄNGER	OIKEA	300x301	1			0.94
36	90021031	KANNATIN HÄLLARE HOLDER HÄNGER	VASEN	300x301	1			0.94



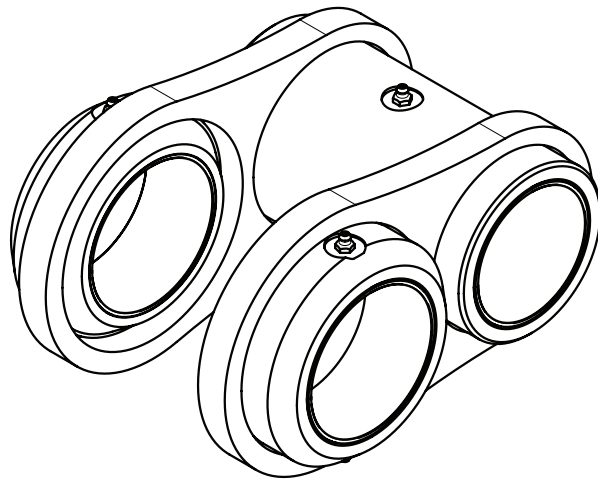
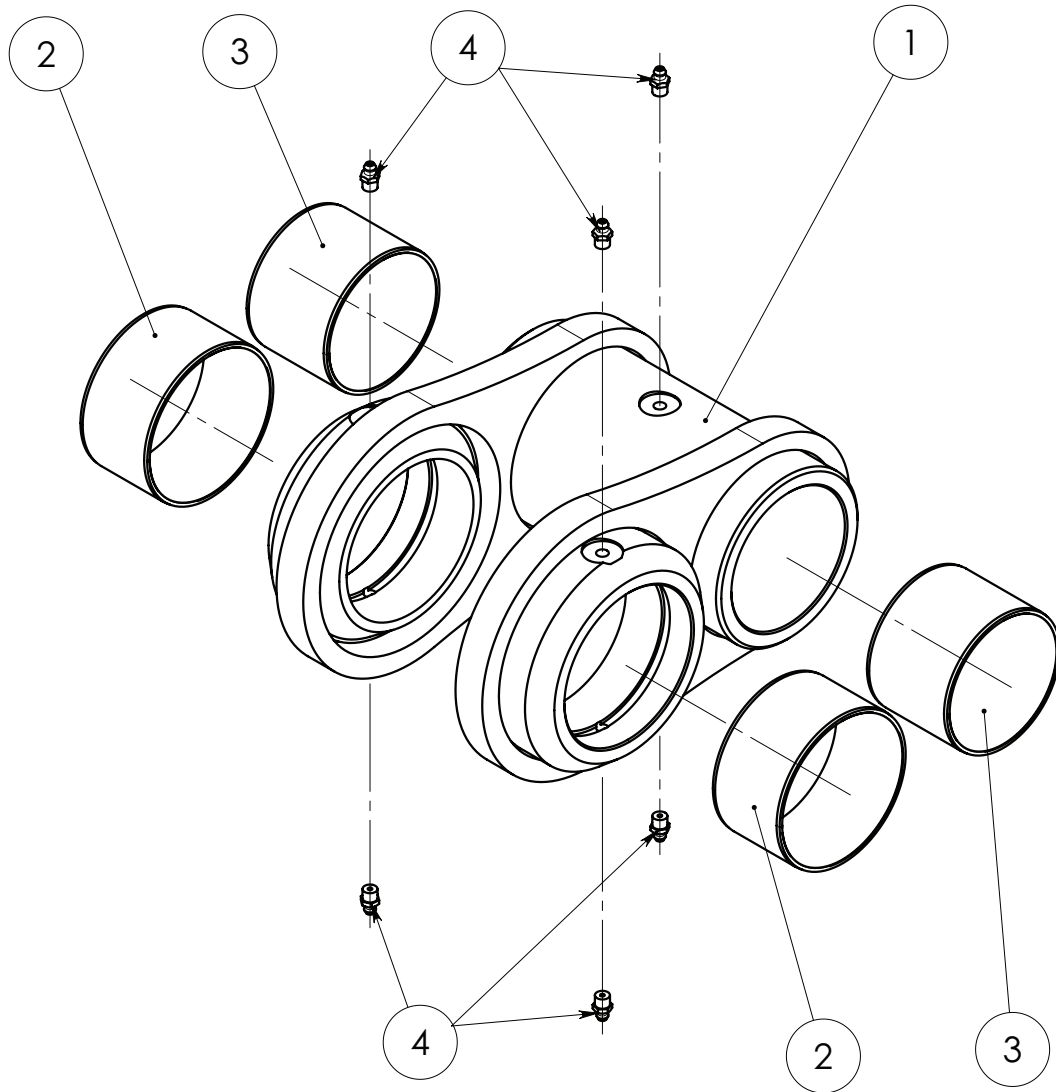
SPARE PART LIST

Item code	90021229	Revision	-
Title	TUKI	Date	30.10.2006
Specification	JALKAVAR		

Pos	Item code	Title	Specification	Dimensions	Pc	Amount	Unit	Nto Weight
37	90013146	PORRAS TRAPPSTEG STEP STUFE	HITS		1			2.25
38	3020004	MUTTERI MUTTER NUT MUTTER	KM M10 ZN DIN 985		8			0

90020965

TANKO

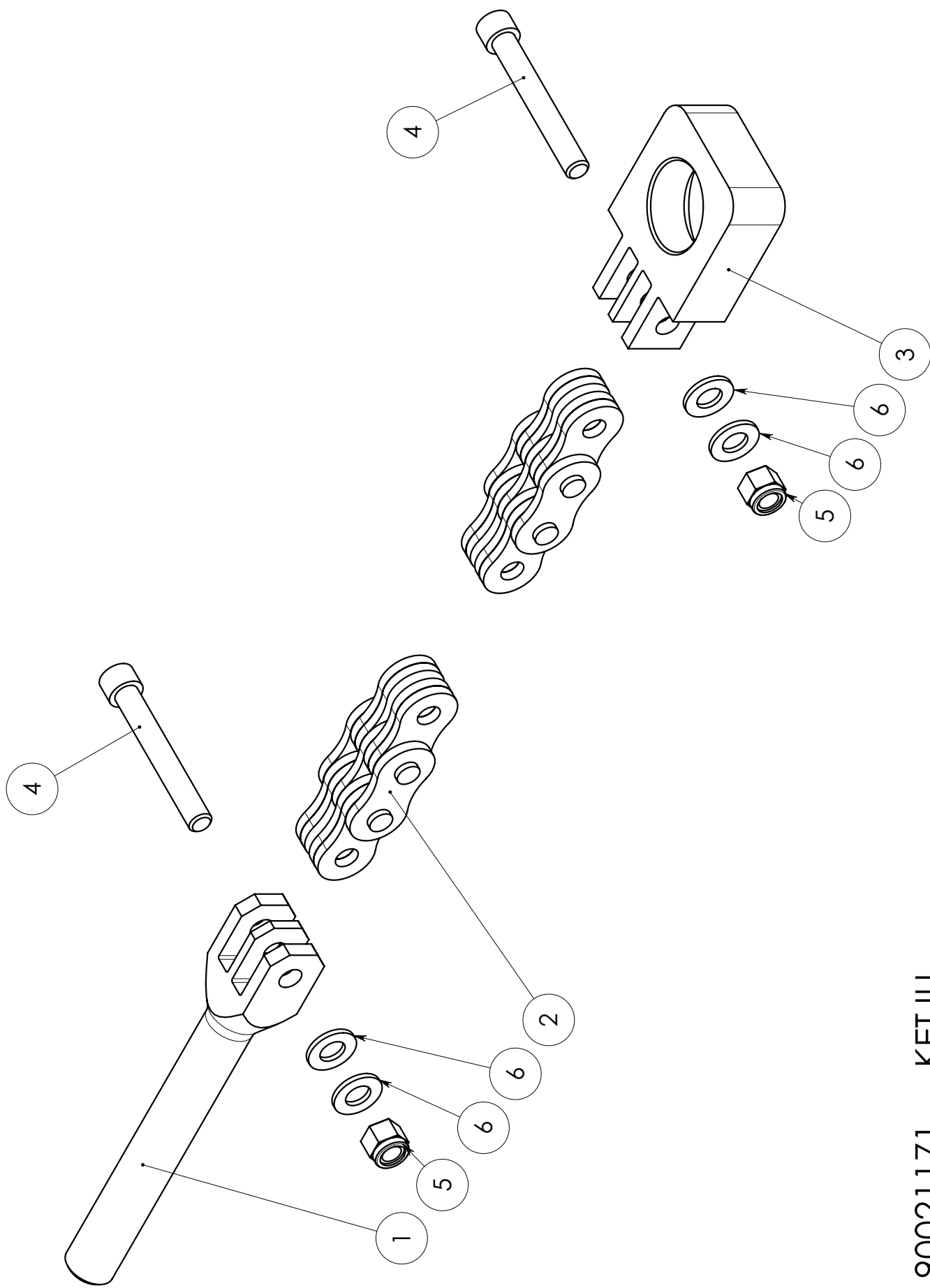




SPARE PART LIST

Item code	90020965	Revision	-
Title	TANKO	Date	08.12.2005
Specification	VAR		

Pos	Item code	Title	Specification	Dimensions	Pc	Amount	Unit	Nto Weight
1	90020964	TANKO LÄNK LINK GELENK	KONESTUS		1			12.53
2	3100380	LAAKERI LAGER BEARING LAGER	WB 802.9050		2			0.28
3	3100226	LAAKERI LAGER BEARING LAGER	WB 802.8060		2			0.3
4	3050003	RASVANIPPA SMÖRJNIPPEL GREASE NIPPLE SCHMIERNIPPEL	M8X1,25 DIN 71412		6			0



90021171 KETJU

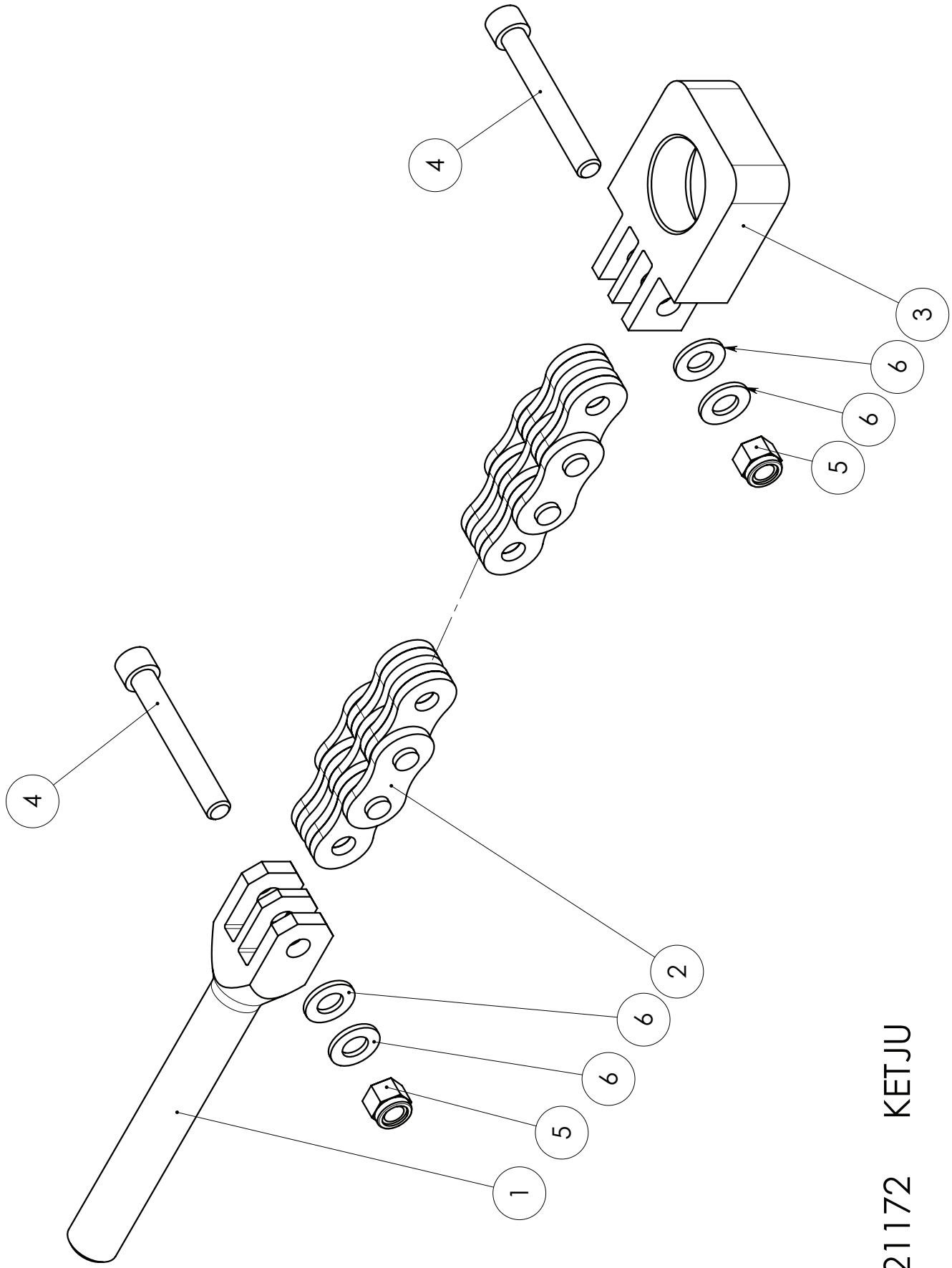
VARAOSAT \ RESERVDELAR \ SPARE PARTS \ ERSATZTEIL



SPARE PART LIST

Item code	90021171	Revision	-
Title	KETJU	Date	13.03.2007
Specification	3X4 (77 LENKKIÄ) KOK		

Pos	Item code	Title	Specification	Dimensions	Pc	Amount	Unit	Nto Weight
1	90021136	KIRISTIN SPÄNNARE TENSIONER VERSCHLUSS	R 1"	185x36	1			0.52
2	3190111	KETJU KEDJA CHAIN KETTE	R 1" (77 LENKKIÄ)		1			0.33
3	90021137	LIITIN KOPPLINGSSTYCKE CONNECTOR KONNEKTOR	R 1"	90x60	1			0.53
4	3010857	RUUVI.SKRUVJ. SCREW SCHRAUBE	UNC 3/8"X2 3/4" 12.9		2			0.05
5	3020181	MUTTERI MUTTER NUT MUTTER	UNC 3/8" DIN985		2			
6	3030065	ALUSLEVY BRICKA WASHER UNTERLEGSCHIBE	M10 ZN DIN 125		4			0



90021172 KETJU

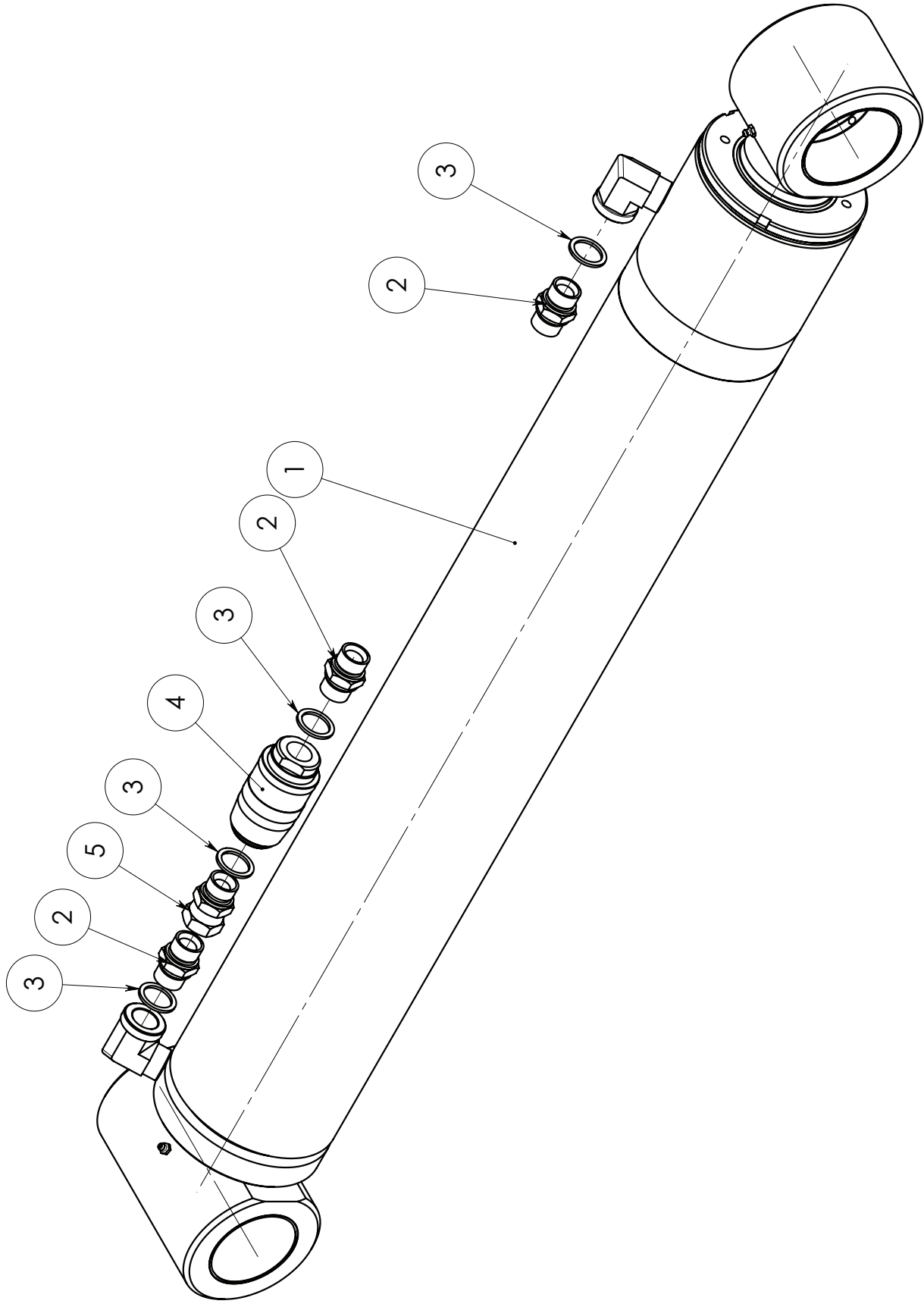
VARAOSAT \ RESERVDELAR \ SPARE PARTS \ ERSATZTEIL



SPARE PART LIST

Item code	90021172	Revision	-
Title	KETJU	Date	13.03.2007
Specification	3X4 (87 LENKKIÄ) KOK		

Pos	Item code	Title	Specification	Dimensions	Pc	Amount	Unit	Nto Weight
1	90021136	KIRISTIN SPÄNNARE TENSIONER VERSCHLUSS	R 1"	185x36	1			0.52
2	3190112	KETJU KEDJA CHAIN KETTE	R 1" (87 LENKKIÄ)		1			0.34
3	90021137	LIITIN KOPPLINGSSTYCKE CONNECTOR KONNEKTOR	R 1"	90x60	1			0.53
4	3010857	RUUVI.SKRUV. SCREW SCHRAUBE	UNC 3/8"x2 3/4" 12.9		2			0.05
5	3020181	MUTTERI MUTTER NUT MUTTER	UNC 3/8" DIN985		2			
6	3030065	ALUSLEVY BRICKA WASHER UNTERLEGSCHIBE	M10 ZN DIN 125		4			0



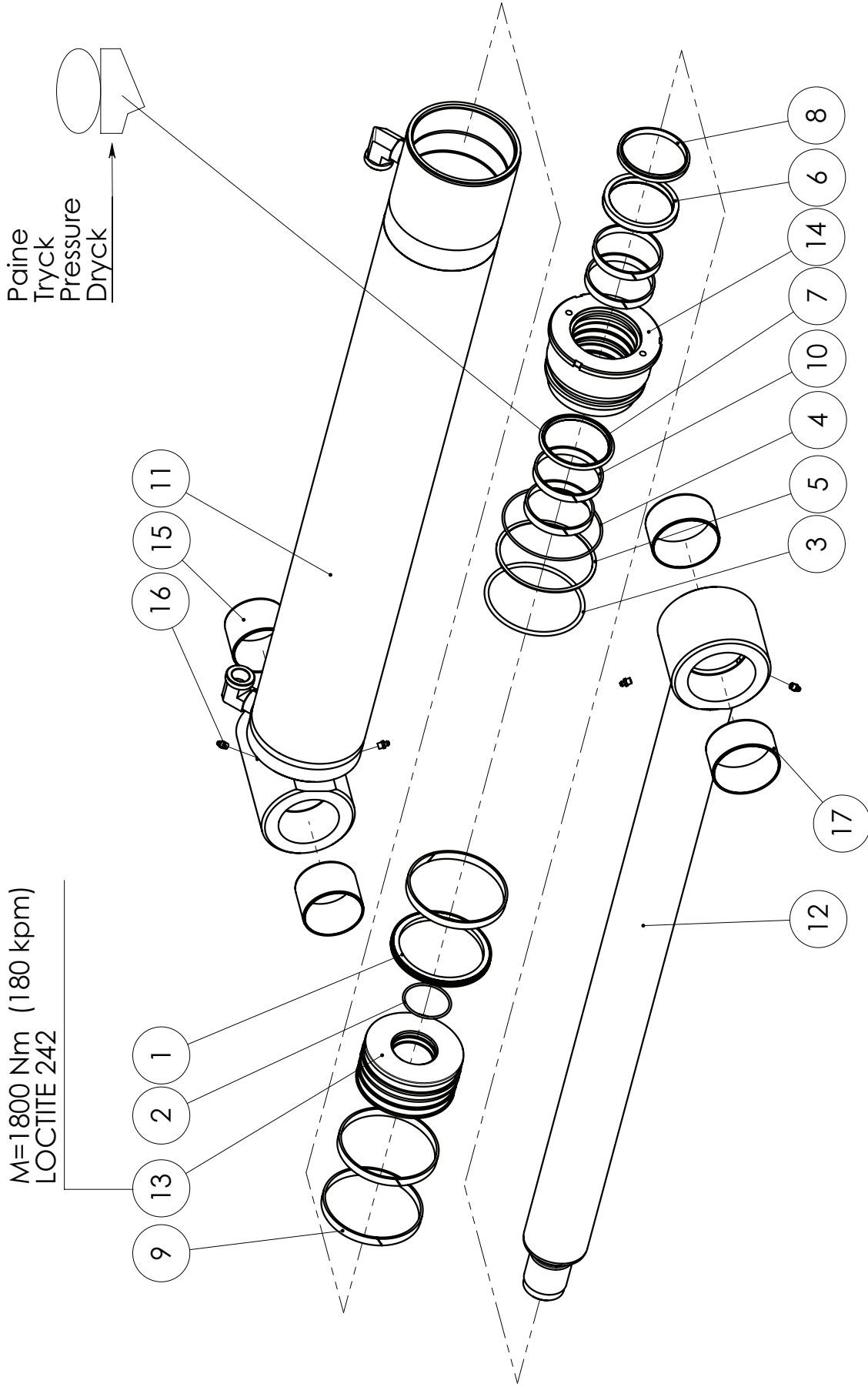
NOSTO-
90021434 SYLINTERI



SPARE PART LIST

Item code	90021434	Revision	-
Title	SYLINTERI	Date	20.10.2006
Specification	140 / 90 X 970 VARUSTELU		

Pos	Item code	Title	Specification	Dimensions	Pc	Amount	Unit	Nto Weight
1	28781001	SYLINTERI CYLINDER ZYLINDER	140 / 90 X 970		1			39.66
2	3090185	LIITIN KOPPLINGSSTYCKE KONNEKTOR	04000-12		3			0.14
3	3110130	TIVISTE TÄITNING SEAL DICHTUNG	USIT R-12 (R3/4")		4			0.01
4	3120235	VENTTIILI VENTIL VALVE VENTIL			1			1.24
5	3090216	LIITIN KOPPLINGSSTYCKE KONNEKTOR	04010-12-12		1			0.19



28781001 SYLINTERI

VARAOSAT \ RESERVDELAR \ SPARE PARTS \ ERSATZTEIL

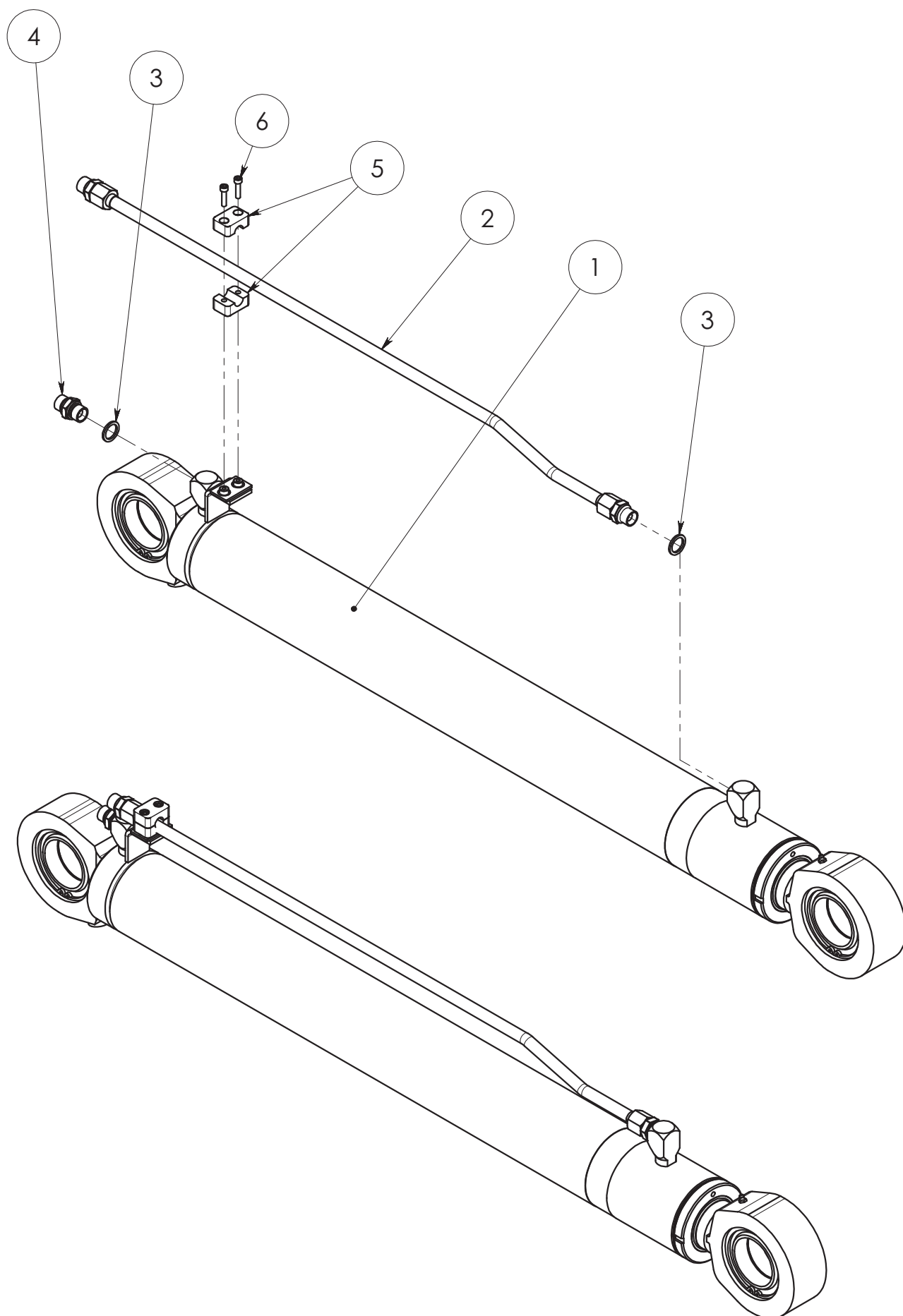


SPARE PART LIST

Item code	28781001	Revision	-
Title	SYLINDERI	Date	04.12.2006
Specification	140 / 90 X 970		

Pos	Item code	Title	Specification	Dimensions	Pc	Amount	Unit	Nto Weight
1	3110841	TIIVISTE TÄTNIING SEAL DICHTUNG	OK 140/119X8		1			0.26
2	3110250	TIIVISTE TÄTNIING SEAL DICHTUNG	O 62.2 X 3 90 SH		1			0.01
3	3110201	TIIVISTE TÄTNIING SEAL DICHTUNG	O 129.3 X 5.7 SHORE 70		1			0.08
4	3110494	TIIVISTE TÄTNIING SEAL DICHTUNG	O 134.5 X 3 SH 90		1			0.02
5	3110202	TIIVISTE TÄTNIING SEAL DICHTUNG	TR 140/130 X 1.7 PU		1			0
6	3110793	TIIVISTE TÄTNIING SEAL DICHTUNG	HALLITE 90/105X12		1			0.18
7	3110882	TIIVISTE TÄTNIING SEAL DICHTUNG	OMS-MR 90/105.1X6		1			0.09
8	3110420	TIIVISTE TÄTNIING SEAL DICHTUNG	GA 90X100X7/10		1			0.09
9	3110687	OHJAIN STYRNING GUIDANCE STEUERUNG	E/PWR 140/134X13		3			0.13
10	3110795	OHJAIN STYRNING GUIDANCE STEUERUNG	I/PWR 90/96X13		4			0.09
11	28781101	SYLINDERIPIUTKI CYLINDERRÖR CYLINDER BARREL ZYLINDERROHR	140 / 90 X 970		1			16.84
12	28781204	MÄNNÄNVARSI KOLVSTÄNG PISTON ROD KOLBENSTANGE	140 / 90 X 970	L=103	1			7.49
13	28719201	MÄNITÄ KOLV PISTON KOLBEN	140	L=83	1			6.37
14	28781202	OHJAIN STYRNING GUIDANCE STEUERUNG	140/90	L=103	1			6.32
15	3100226	LAAKERI LAGER BEARING LAGER	WB 802 8060		2			0.3
16	3050003	RASVANIPPA SMÖRJNIPPEL GREASE NIPPLE SCHMIERNIPPEL	M8X1,25 DIN 71412		4			0
17	3100380	LAAKERI LAGER BEARING LAGER	WB 802 9050		2			0.28
-10	3110883	TIIVISTE TÄTNIING SEAL DICHTUNG	SEAL KIT 140/90		1			

90023631

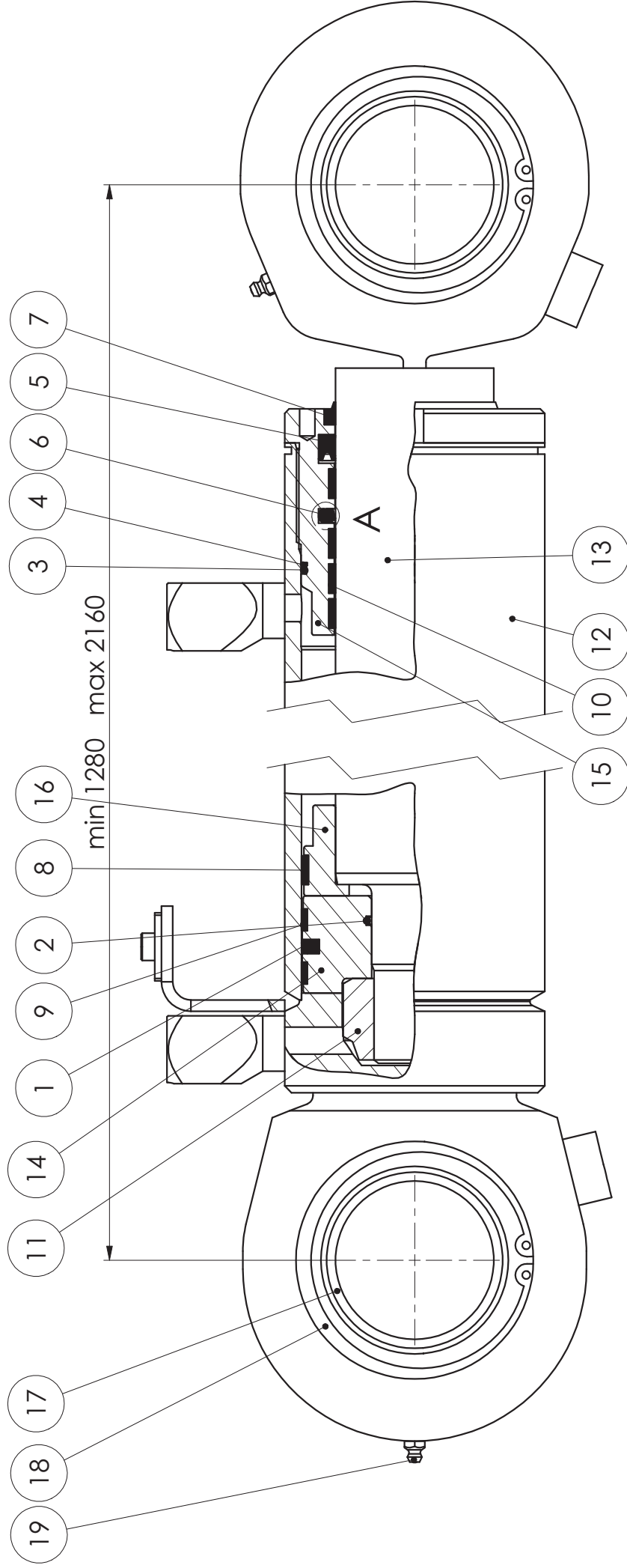




SPARE PART LIST

Item code	90023631	Revision	-
Title	CYLINDER	Date	18.05.2010
Specification	100/70X880 VAR		

Pos	Item code	Title	Specification	Pc	Nto Weight
1	28852001	CYLINDER	100/70X880	1	76.51
2	90018773	PIPE	16-940	1	1.31
3	3110042	SEAL	R-08 R 1/2"	2	0.01
4	3090019	CONNECTOR	04000-08 R1/2"	1	0.1
5	3090291	FASTENER		2	0.11
6	3010288	SCREW	M6X25 8.8 ZN DIN 912	2	0



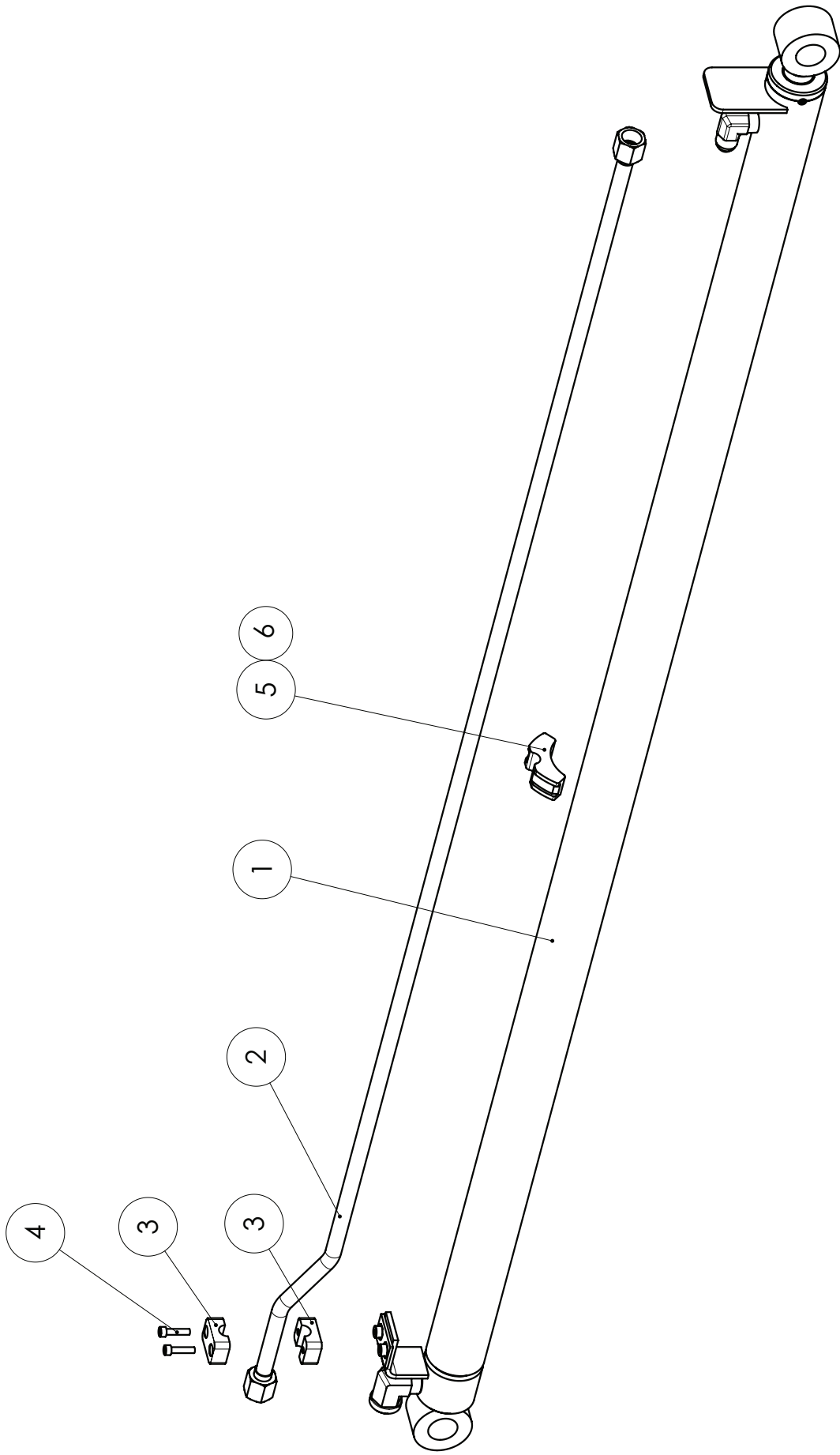
28852001 SYLINTERI

VARAOSAT \ RESERVDELAR \ SPARE PARTS \ ERSATZTEIL

SPARE PART LIST

Item code	28852001	Revision	-
Title	CYLINDER	Date	16.03.2010
Specification	100/70X880		

Pos	Item code	Title	Specification	Pc	Nto Weight
1	3110821	PISTON SEAL	300 100/84.5X6.3	1	0.1
2	3110075	SEAL	39.2X3 90 SHORE	1	0.01
3	3110071	SEAL	94.5X3 90 SHORE	1	0.02
4	3110614	SEAL	TR 95/100X1.3	1	0
5	3110195	SEAL	70/85X11.4	1	0.13
6	3110197	SEAL	OMS-MR 70/85.1X6	1	0.07
7	3110196	SEAL	GA 70/80X7/10	1	0.07
8	3110072	GUIDANCE	E/PWR 100/94X13	1	0.09
9	3110843	GUIDANCE	100/95X9.7	2	0.06
10	3110733	GUIDANCE	I/PWR 70/76X13	4	0.07
11	3020043	NUT	M36X3 ZN DIN 985	1	0.42
12	28852101	CYLINDER BARREL	100/70X880	1	29.24
13	28852204	PISTON ROD	70	1	37.08
14	28692201	PISTON	100 (OK-TIIVISTE)	1	1.9
15	28852202	GUIDANCE	100/70 2-TIIV.	1	2.8
16	28657105	SLEEVE	ISKUN RAJOITIN HOLKKI	1	0.98
17	3100134	BEARING	INA GE 70 ES	2	1.6
18	3060030	SNAP RING	105X4 DIN 472	2	0
19	3050003	GREASE NIPPLE	M8X1,25 DIN 71412	4	0
1-1	3110963	SEAL KIT	100/70	1	



90021354 SYLINTERI

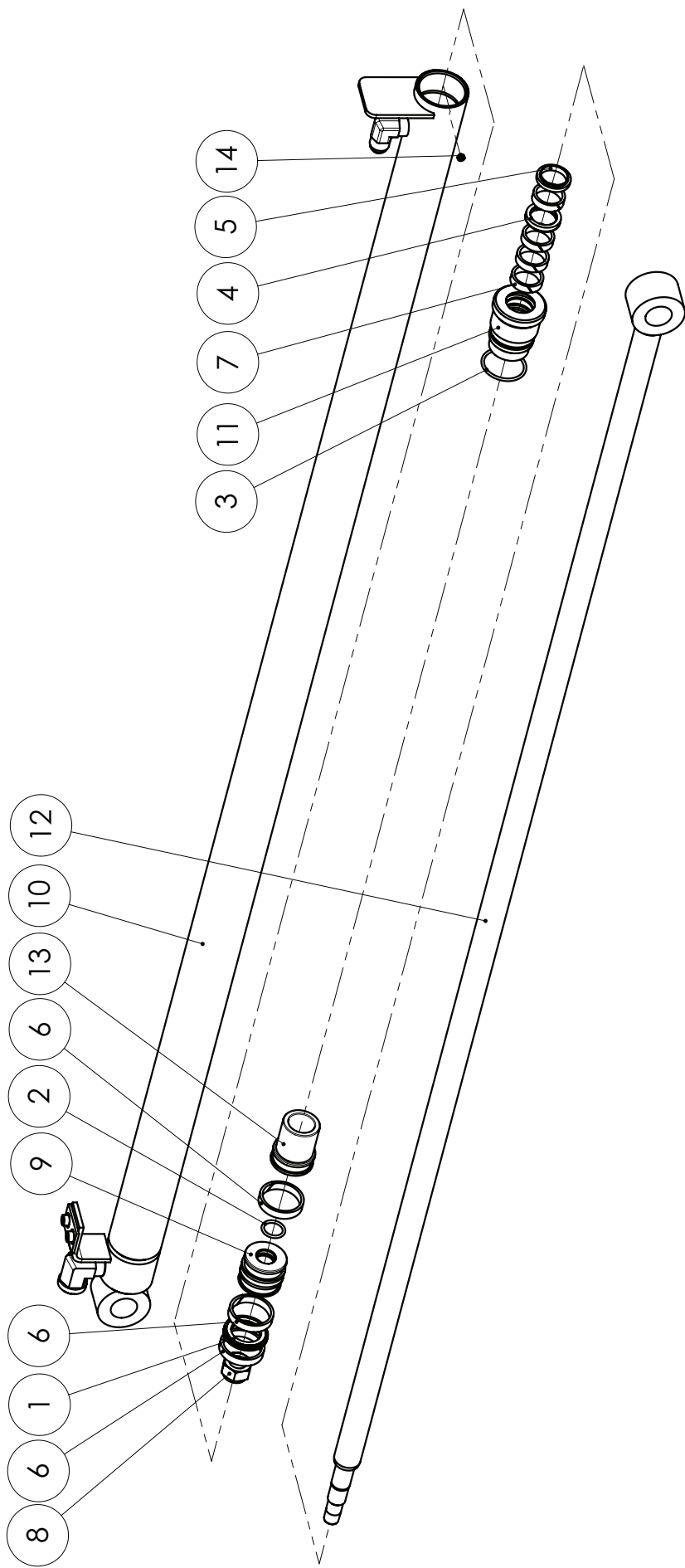
VARAOSAT \ RESERVDELAR \ SPARE PARTS \ ERSATZTEIL



SPARE PART LIST

Item code	90021354	Revision	-
Title	SYLINTERI	Date	14.09.2006
Specification	50/30 X 1 650		

Pos	Item code	Title	Specification	Dimensions	Pc	Amount	Unit	Nto Weight
1	28791001	SYLINTERI CYLINDER ZYLINDER	50/30 X 1 650		1			4.43
2	90021343	PUTKI RÖR PIPE ROHR	KOK		1			1.66
3	3090291	KIINNIKE FÄSTE FASTENER BEFESTIGUNG	N 216		2			0.11
4	3010288	RUUVI SKRUV SCREW SCHRAUBE	KKR M6 X 25 8.8 ZN DIN 912		2			0
5	3090928	KIINNIKE FÄSTE FASTENER BEFESTIGUNG	30-ZR-518		1			0.22
6	3090929	LIITIN KOPPLINGSSTYCKE CONNECTOR KONNEKTOR	ABA-085		1			



28791001 SYLINTERI

VARAOSAT \ RESERVDELAR \ SPARE PARTS \ ERSATZTEIL



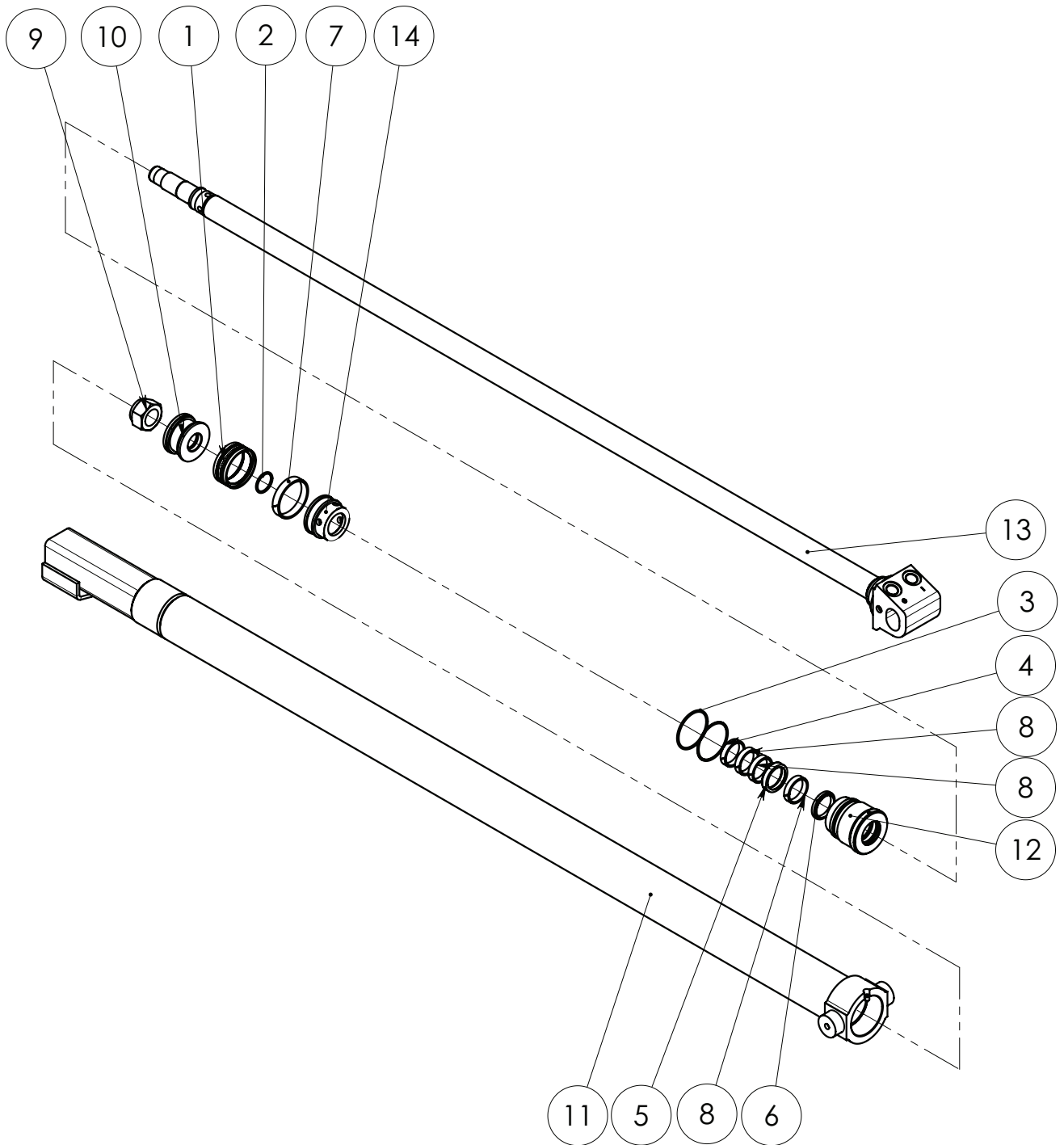
SPARE PART LIST

Item code	28791001	Revision	-
Title	SYLINTERI	Date	12.10.2006
Specification	50/30 X 1650		

Pos	Item code	Title	Specification	Dimensions	Pc	Amount	Unit	Nto Weight
1	3110676	TIIVISTE TÄTNIING SEAL DICHTUNG	SIMKO 300 50/34.5X6		1			0.05
2	3110261	TIIVISTE TÄTNIING SEAL DICHTUNG	O 21.2 X 3 90 SH		1			0
3	3110669	TIIVISTE TÄTNIING SEAL DICHTUNG	O 45 X 3 90SH		1			0.01
4	3110030	TIIVISTE TÄTNIING SEAL DICHTUNG	NI300 30/40X7		1			0.02
5	3110027	TIIVISTE TÄTNIING SEAL DICHTUNG	PW 30		1			0.02
6	3110677	OHJAIN STYRNING GUIDANCE STEUERUNG	E/PWR 50/44X10		3			0.03
7	3110741	OHJAIN STYRNING GUIDANCE STEUERUNG	I/PWR 30/36X10		4			0.02
8	3020009	MUTTERI MUTTER NUT MUTTER	KM M20 ZN DIN 985		1			0
9	28528201	MÄNTÄ KOLV PISTON KOLBEN	50 (SIMKO)		1			0.35
10	28791101	SYLINTERIPUTKI CYLINDERRÖR CYLINDER BARREL ZYLINDERROHR	50/30 X 1650		1			2.16
11	28586202	OHJAIN STYRNING GUIDANCE STEUERUNG	50/30	L=72	1			0.62
12	28791204	MÄNNÄNVARSI KOLVSTÄNG PISTON ROD KOLBENSTANGE	50/30 X 1650		1			0.66
13	28586105	HOLKKI HYLSA SLEEVE ACHSHALTER	ISKURAJOTTINHOLKKI	L=62	1			0.37
14	3010793	RUUVI SKRUVV SCREW SCHRAUBE	KKR M8 X 6 ZN DIN 914		1			0
1-7	3110756	TIIVISTE TÄTNIING SEAL DICHTUNG	SARJA 50/30		1		sj	

28658001

SYLINTERI

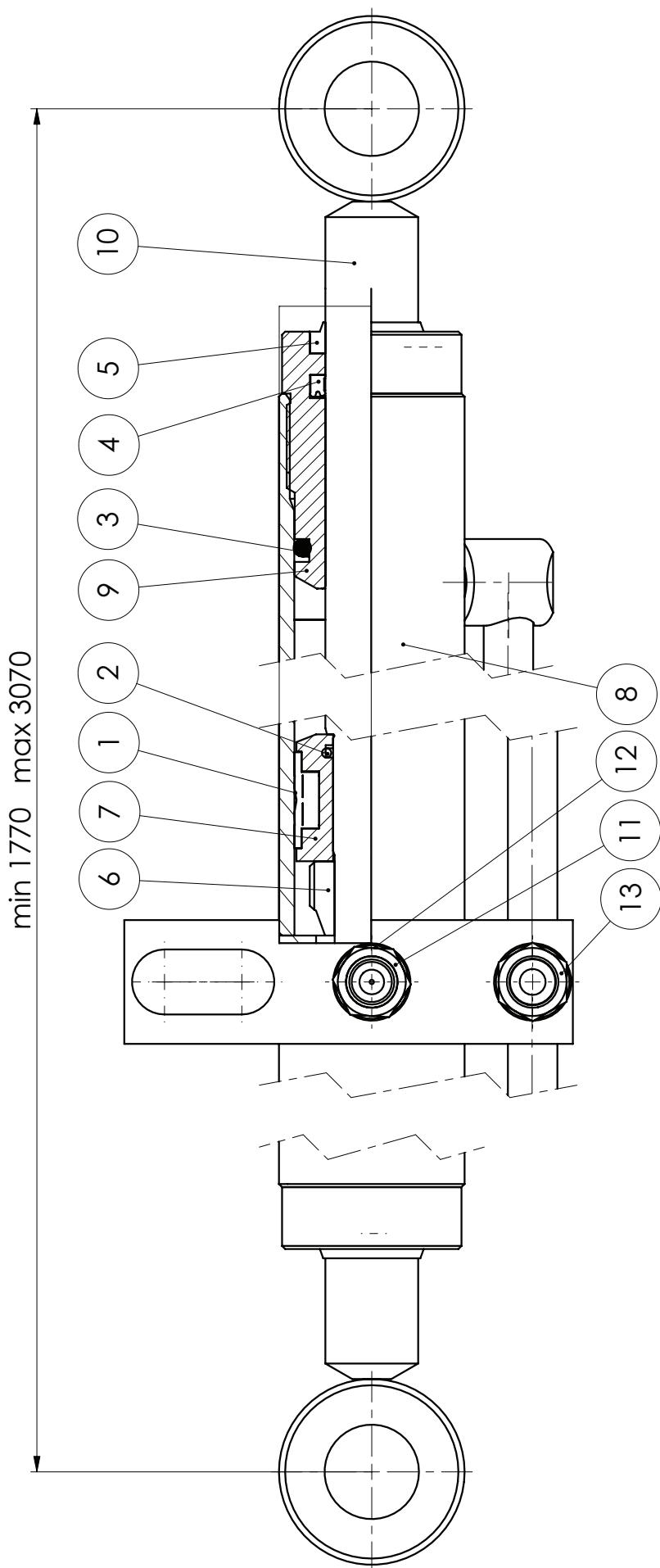




SPARE PART LIST

Item code	28658001	Revision	-
Title	SYLINTERI	Date	11.10.2006
Specification	70/40-1450		

Pos	Item code	Title	Specification	Dimensions	Pc	Amount	Unit	Nto Weight
1	3110317	TIIVISTE TÄTNING SEAL DICHTUNG	PDO 70/58 X 20		1			0.21
2	3110248	TIIVISTE TÄTNING SEAL DICHTUNG	O 31.5 X 3 90 SH		1			0.01
3	3110009	TIIVISTE TÄTNING SEAL DICHTUNG	O 64.5 X 3 90 SH		1			0.01
4	3110557	TIIVISTE TÄTNING SEAL DICHTUNG	TR 70/65X1.3 PU		1			0
5	3110010	TIIVISTE TÄTNING SEAL DICHTUNG	NI300 40/50X10		1			0.05
6	3110011	TIIVISTE TÄTNING SEAL DICHTUNG	PW 40		1			0.03
7	3110697	OHJAIN STYRNING GUIDANCE STEUERUNG	E/PWR 70/64X13		1			0.06
8	3110735	OHJAIN STYRNING GUIDANCE STEUERUNG	I/PWR 40/46X10		4			0.03
9	3020145	MUTTERI MUTTER NUT MUTTER	KM 30X2 ZN DIN 980 V		1			0
10	28349201	MÄNTÄ KOLV PISTON - KOLBEN	D=70 (PDO-TIIV.)	L=30	1			0.64
11	28658101	SYLINTERIPIUKKI CYLINDER RÖR CYLINDER BARREL ZYLINDERROHR	70/1450		1			0
12	28581202	OHJAIN STYRNING GUIDANCE STEUERUNG	70/40	L=72	1			1.39
13	28658204	MÄNNÄNVARSI KOLVSTÄNG PISTON ROD KOLBENSTANGE	D=40		1			4.87
14	28581105	HOLKKI HYLSA SLEEVE ACHSHALTER	ISKURAJOTTIN	L=44	1			0.52
15	3010175	RUUVI SKRUVI SCREW SCHRAUBE	KK M8 X 10 ZN DIN 914		1			0
SRJ	3110736	TIIVISTE TÄTNING SEAL DICHTUNG	SARJA 70/40		1		sj	



28772001 SYLINTERI

VARAOSAT \ RESERVDELAR \ SPARE PARTS \ ERSATZTEIL

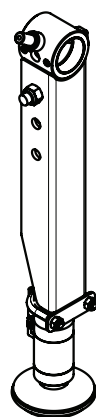
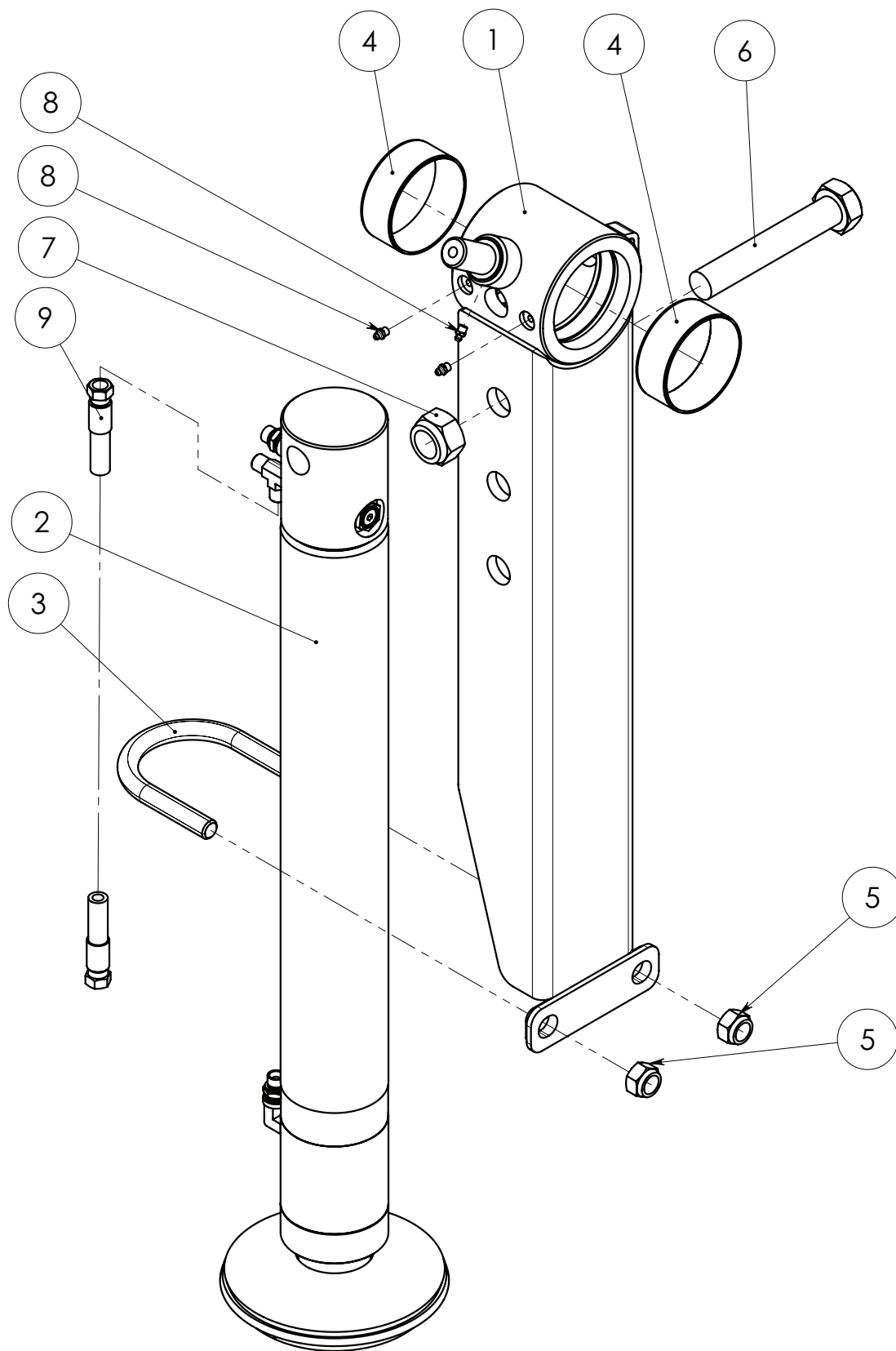


SPARE PART LIST

Item code	28772001	Revision	-
Title	SYLINTERI	Date	26.08.2005
Specification	50/30 X 2 X 650		

Pos	Item code	Title	Specification	Dimensions	Pc	Amount	Unit	Nto Weight
1	3110013	TIIVISTE TÄTINING SEAL DICHTUNG	DAS 50/34 X 18		2			0.18
2	3110003	TIIVISTE TÄTINING SEAL DICHTUNG	O 26.2 X 3.70 SH		2			0.01
3	3110288	TIIVISTE TÄTINING SEAL DICHTUNG	O 39.2 X 5.7 90 SH		2			0.03
4	3110030	TIIVISTE TÄTINING SEAL DICHTUNG	NI300 30/40X7		2			0.02
5	3110313	TIIVISTE TÄTINING SEAL DICHTUNG	GA 30/40 X 7/10		2			0.03
6	3020026	MUTTERI MUTTER NUT MUTTER	KM M24 ZN DIN 985		2			0
7	28337201	MÄNTÄ KOLV PISTON KOLBEN	D=50 DBM		2			0.26
8	28772101	SYLINTERIPUTKI CYLINDERROHR CYLINDER BARREL ZYLINDERROHR	50/30 X 2 X 650		1			3.84
9	28337202	OHJAIN STYRNING GUIDANCE STEUERUNG	50/30		2			0.9
10	28772204	MÄNNÄNVARSI KOLVSTÄNG PISTON ROD KOLBENSTANGE	50/30 X 2 X 650		2			0.65
11	28357106	KURISTIN STRYP RESTRICTION DROSSEL	R3/8"	L=57	1			0.12
12	3110040	TIIVISTE TÄTINING SEAL DICHTUNG	USIT R-06 (R 3/8")		2			0
13	3090296	LIITIN KOPPLINGSSTYCKE CONNECTOR KONNEKTOR	04000-06 EP		1			0.07
1-5	3110324	TIIVISTE TÄTINING SEAL DICHTUNG	SARJA 50/30		1	1	sj	

90020725
JALKA



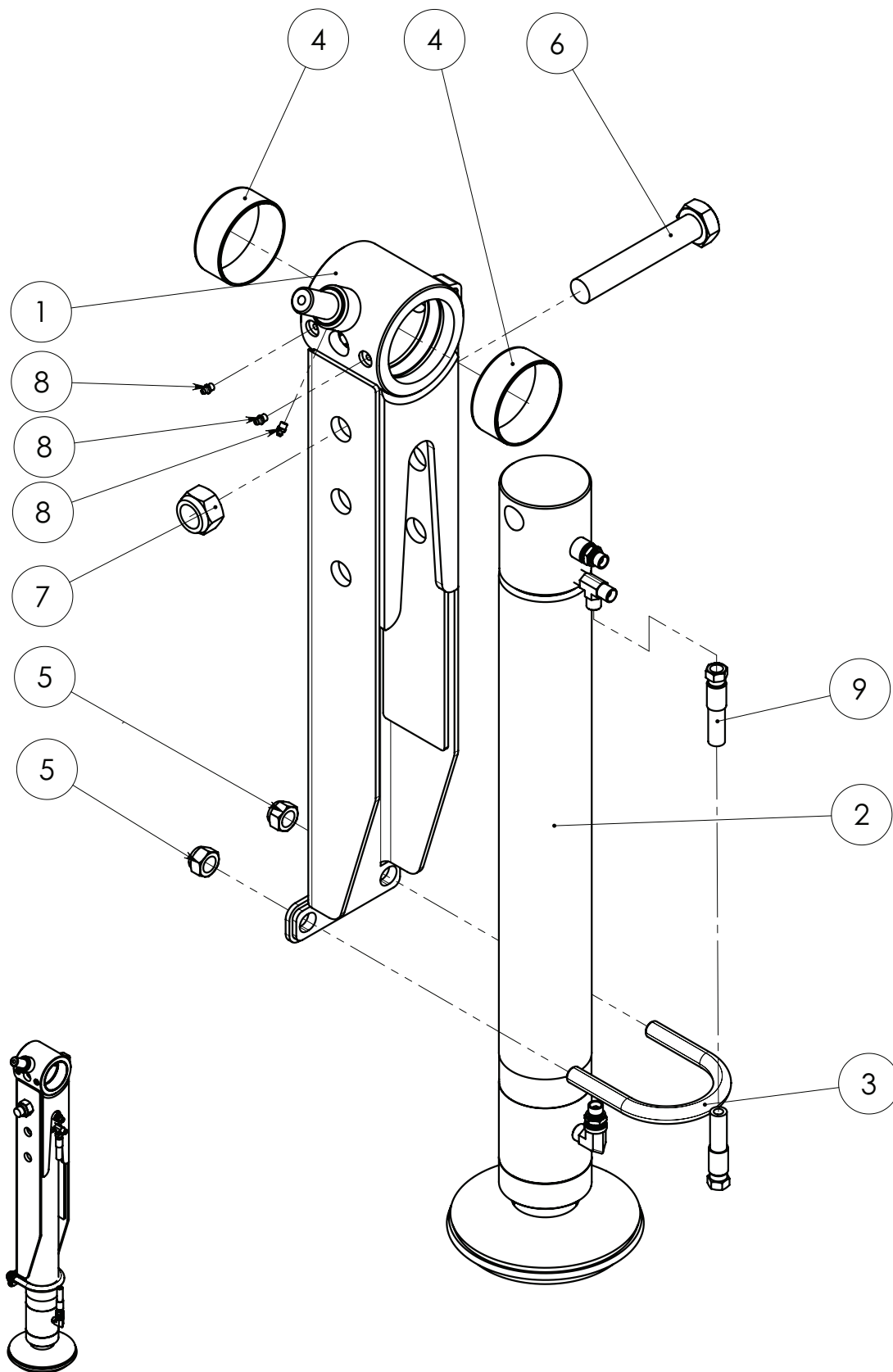


SPARE PART LIST

Item code	90020725	Revision	-
Title	JALKA	Date	17.01.2007
Specification	OIKEA KOK		

Pos	Item code	Title	Specification	Dimensions	Pc	Amount	Unit	Nto Weight
1	90020722	RUNKO RAM FRAME RAHMEN	OIKEA KONEISTUS		1			25.69
2	28767001	SYLINTERI CYLINDER ZYLINDER	90/70X600		1			5.97
3	90020683	KIINNIKE FÄSTE FASTENER BEFESTIGUNG	M20	L=364	1			0.92
4	3100288	LAAKERI LAGER BEARING LAGER	WB802 10040		2			0.25
5	3020009	MUTTERI MUTTER NUT MUTTER	KM M20 ZN DIN 985		2			0
6	3010511	RUUVI SKRUV SCREW SCHRAUBE	KR M30X180 8.8 ZN DIN 931		1			0
7	3020126	MUTTERI MUTTER NUT MUTTER	KM M30 ZN DIN 985		1			0
8	3050003	RASVANIPPA SMÖRJNIPPEL GREASE NIPPLE SCHMIERNIPPEL	M8X1,25 DIN 71412		3			0
9	3132396	LETKU SLANG HOSE SCHLAUCH	5701-06/HI98-06TEX/5701-06 L=700		1			

90020765
JALKA

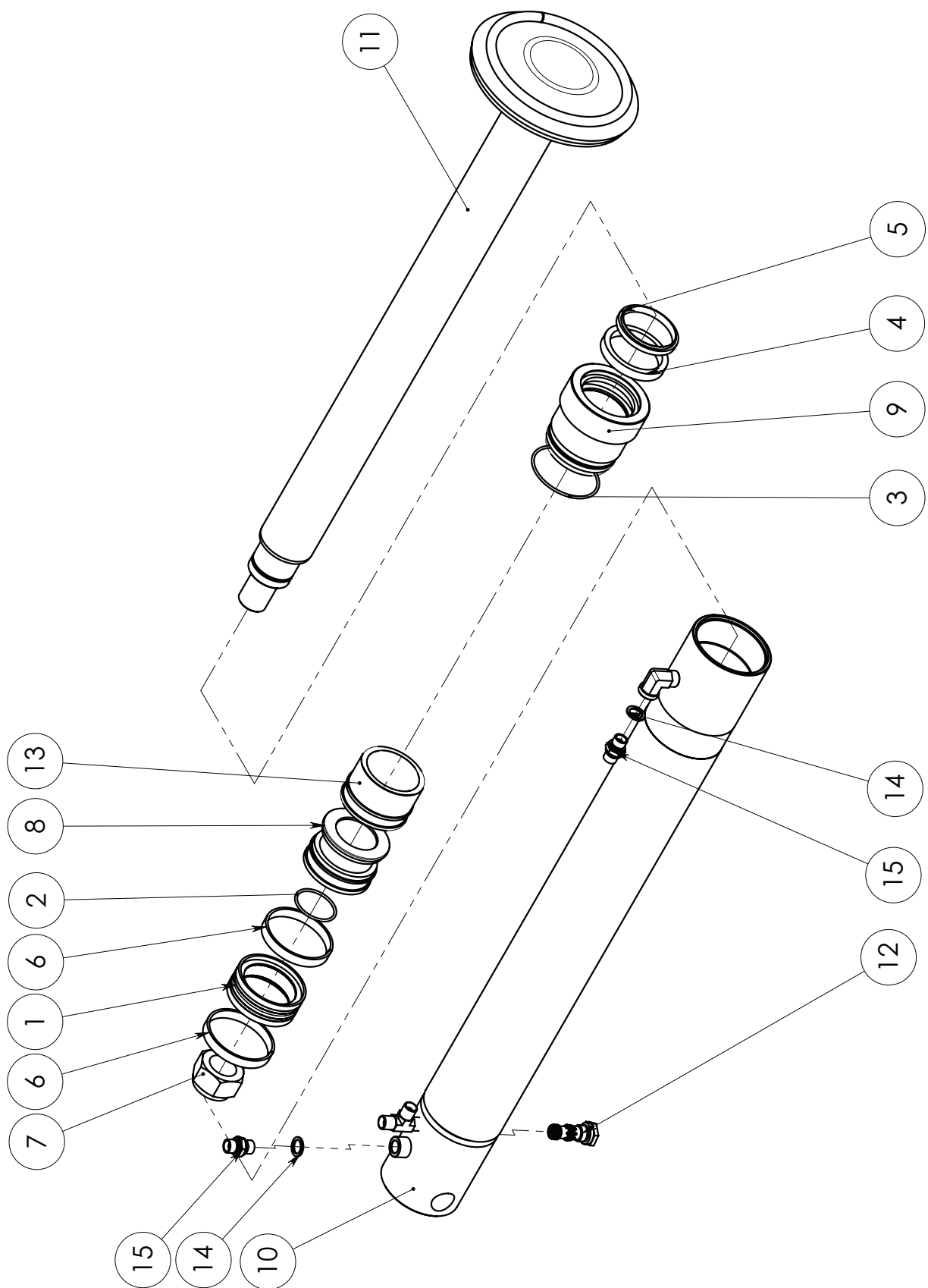




SPARE PART LIST

Item code	90020765	Revision	-
Title	JALKA	Date	22.12.2006
Specification	VASEN KOK		

Pos	Item code	Title	Specification	Dimensions	Pc	Amount	Unit	Ntto Weight
1	90020724	RUNKO RAM FRAME RAHMEN	VASEN KONEISTUS		1			25.69
2	28767001	SYLINTERI CYLINDER ZYLINDER	90/70X600		1			5.97
3	90020683	KIINNIKE FÄSTE FASTENER BEFESTIGUNG	M20	L=364	1			0.92
4	3100288	LAAKERI LAGER BEARING LAGER	WB802 10040		2			0.25
5	3020009	MUTTERI MUTTER NUT MUTTER	KM M20 ZN DIN 985		2			0
6	3010511	RUUVI SKRUV SCREW SCHRAUBE	KR M30X180 8.8 ZN DIN 931		1			0
7	3020126	MUTTERI MUTTER NUT MUTTER	KM M30 ZN DIN 985		1			0
8	3050003	RASVANIPPA SMÖRJNIPPEL GREASE NIPPLE SCHMIERNIPPEL	M8X1,25 DIN 71412		3			0
9	3132396	LETKU SLANG HOSE SCHLAUCH	5701-06/HI98-06TEX/5701-06 L=700		1			



28767001 SYLINTERI

VARAOSAT \ RESERVDELAR \ SPARE PARTS \ ERSATZTEIL

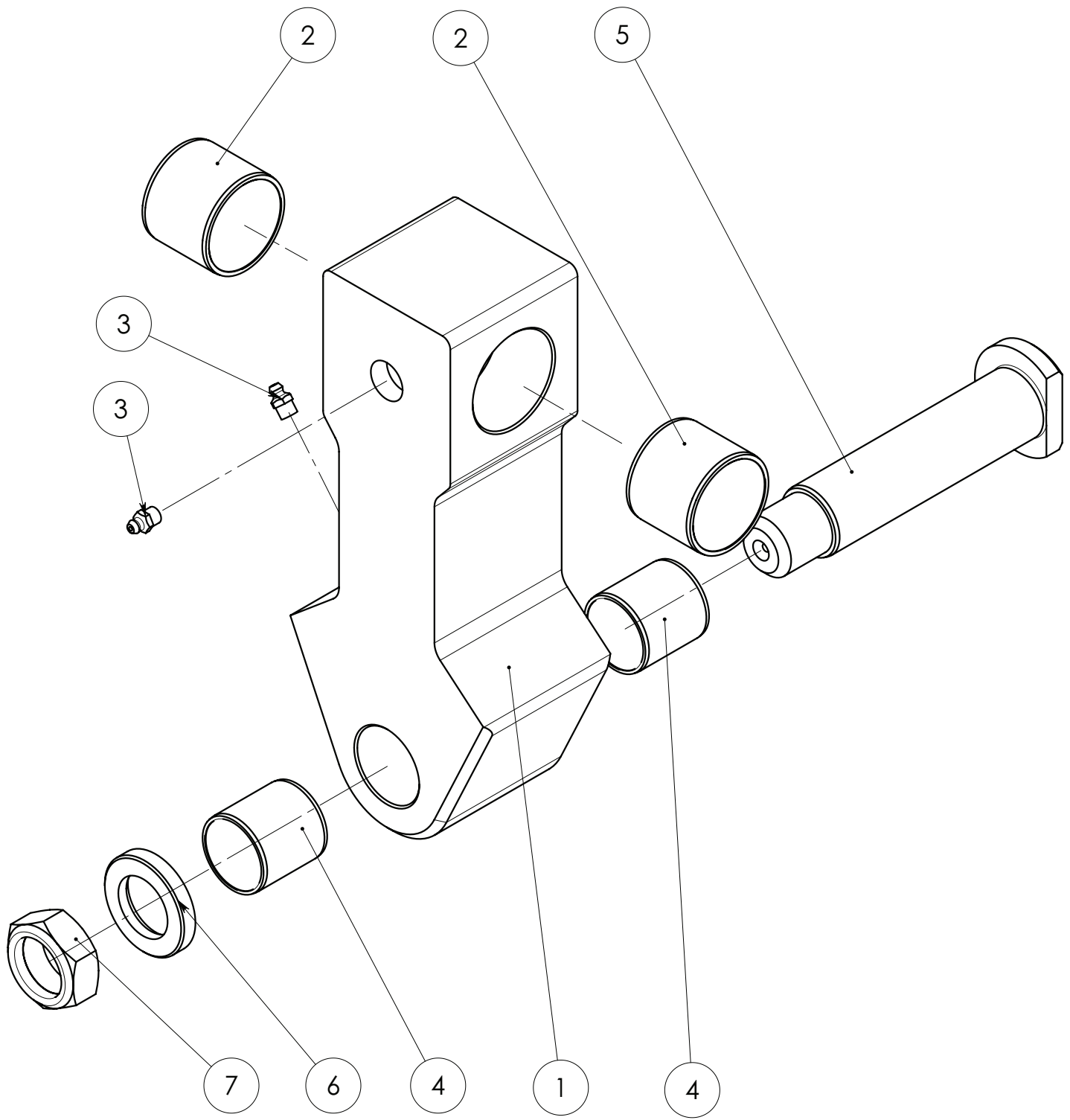


SPARE PART LIST

Item code	28767001	Revision	-
Title	SYLINTERI	Date	22.12.2006
Specification	90/70X600		

Pos	Item code	Title	Specification	Dimensions	Pc	Amount	Unit	Nto Weight
1	3110025	TIIVISTE TÄTINING SEAL DICHTUNG	DAS 90/70 X 22		1			0.5
2	3110278	TIIVISTE TÄTINING SEAL DICHTUNG	O 49.5 X 3.0 90SH		1			0.01
3	3110017	TIIVISTE TÄTINING SEAL DICHTUNG	O 84.5 X 3 90 SH		2			0.02
4	3110184	TIIVISTE TÄTINING SEAL DICHTUNG	B 70/85X12		1			0.18
5	3110196	TIIVISTE TÄTINING SEAL DICHTUNG	GA 70/80 X 7/10		1			0.07
6	3110397	OHJAIN STYRNING GUIDANCE STEUERUNG	E/PWR 90/84X13		2			0.08
7	3020043	MUTTERI MUTTER NUT MUTTER	KM M36 X 3 ZN DIN 985		1			0
8	28554201	MÄNTÄ KOLV PISTON KOLBEN	D=90 DBM		1			1.34
9	28358202	OHJAIN STYRNING GUIDANCE STEUERUNG	90/70		1			2.46
10	28767101	SYLINTERIPUTKI CYLINDER RÖR CYLINDER BARREL ZYLINDERROHR	90/70 X 600		1			0
11	28767204	MÄNNÄNVARSI KOLVSTÅNG PISTON ROD KOLBENSTANGE	90 / 70 X 600		1			0
12	3120843	VENTTIILI VENTIL VALVE VENTIL			1			0.13
13	28554105	HOLKKI HYLSA SLEEVE ACHSHALTER	ISKURAJOTTINHOLKKI		1			0.96
14	3110040	TIIVISTE TÄTINING SEAL DICHTUNG	USIT R-06 (R 3/8")		2			0
15	3090040	LIITIN KOPPLINGSSTYCKE CONNECTOR KONNEKTOR	04000-06		2			0.06
SRJ	3110430	TIIVISTE TÄTINING SEAL DICHTUNG	SARJA 90/70		1		sj	

90012142
RIIPUKE

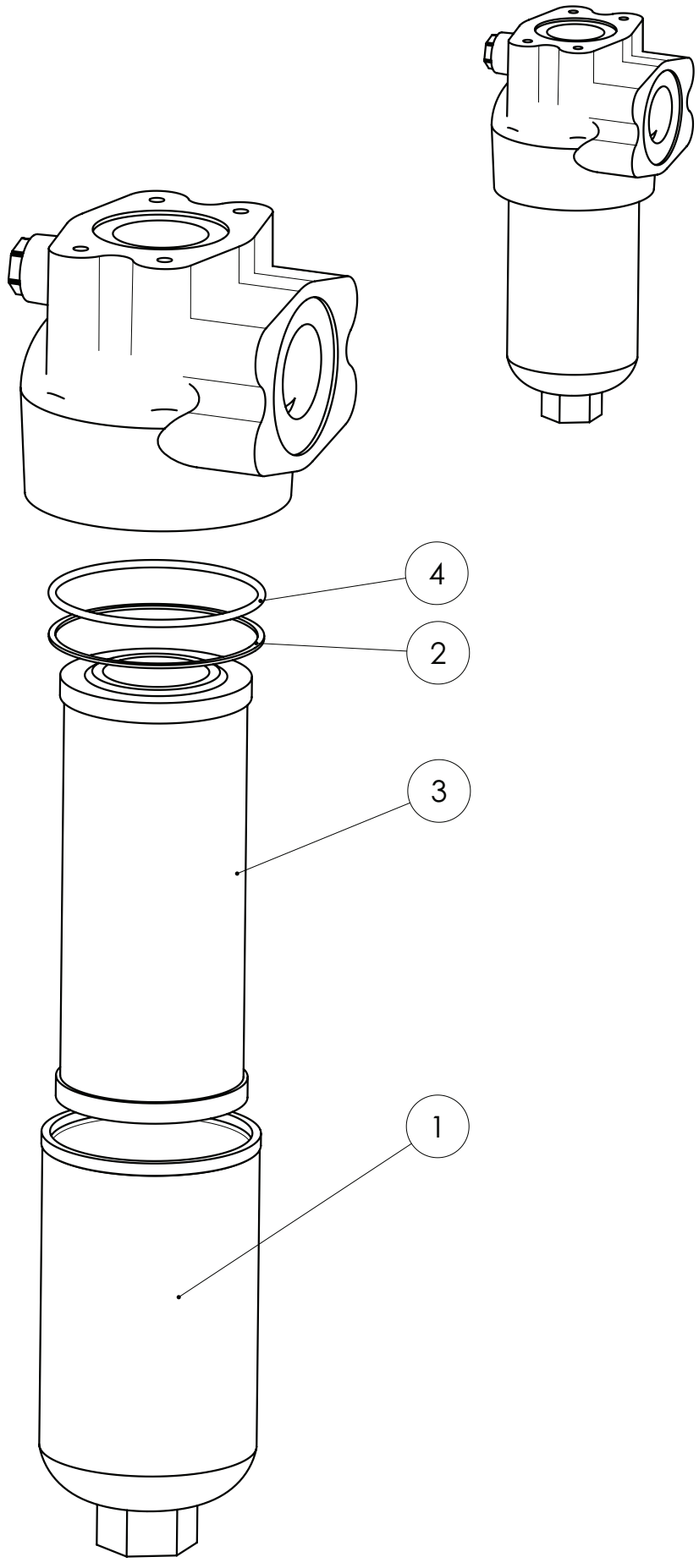


SPARE PART LIST

Item code	90012142	Revision	-
Title	RIIPUKE	Date	12.04.2005
Specification			

Pos	Item code	Title	Specification	Dimensions	Pc	Amount	Unit	Nto Weight
1	90011322	RIIPUKE LÄNK LINK GELENK		L=289	1			11.79
2	3100215	LAAKERI LAGER BEARING LAGER	WB 802 4540		2			0.12
3	3050003	RASVANIPPA SMÖRJNIPPEL GREASE NIPPLE SCHMIERNIPPEL	M8X1,25 DIN 71412		2			0
4	3100196	LAAKERI LAGER BEARING LAGER	WB 802 3540		2			0.07
5	90013110	AKSELI AXEL AXLE ACHSE	35-172	L=207	1			1.32
6	90013659	ALUSLEVY BRICKA WASHER UNTERLEGSCHEIBE	50/31-8	65x65	1			0.07
7	3020144	MUTTERI MUTTER NUT MUTTER	KM6 M30X1,5 ZN NYLOC		1			

3090884
SUODATIN



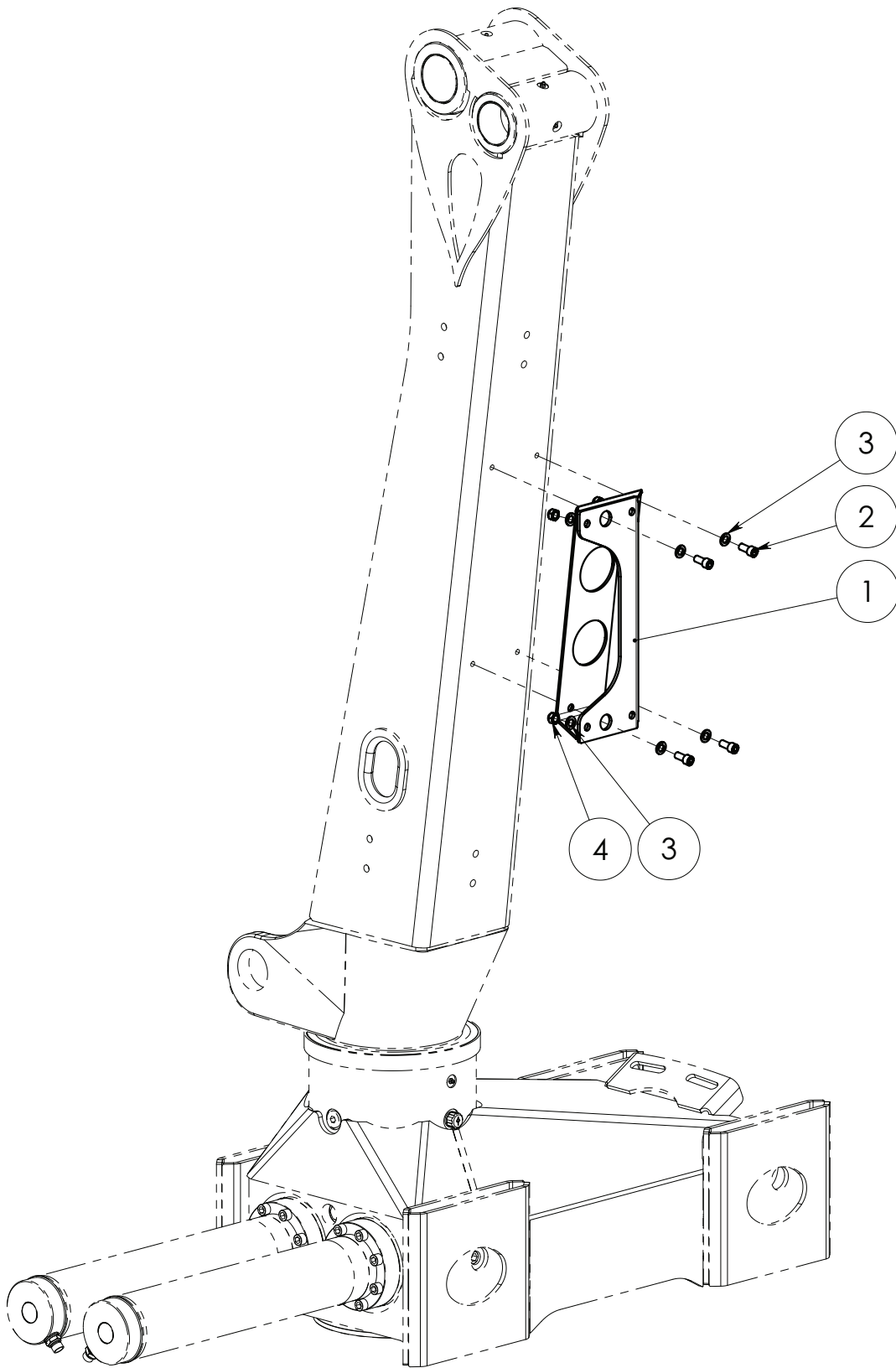


SPARE PART LIST

Item code	3090884	Revision	-
Title	SUODATIN	Date	21.04.2006
Specification	FF7006.Q20.BS35.GL16		

Pos	Item code	Title	Specification	Dimensions	Pc	Amount	Unit	Nto Weight
1	3090979	SUODATIN FILTER FILTER FILTER	FF7006		1			2.15
2	3110707	TIIVISTE TÄTNING SEAL DICHTUNG	TR 95.1X101.1X1.5 PO-01		1			0
3	3090885	SUODATIN FILTER FILTER FILTER	FC7006.Q020.BK		1			6.32
4	3110706	TIIVISTE TÄTNING SEAL DICHTUNG	O 94.84X3.53 90SH		1			0.02

90022556
TELINE



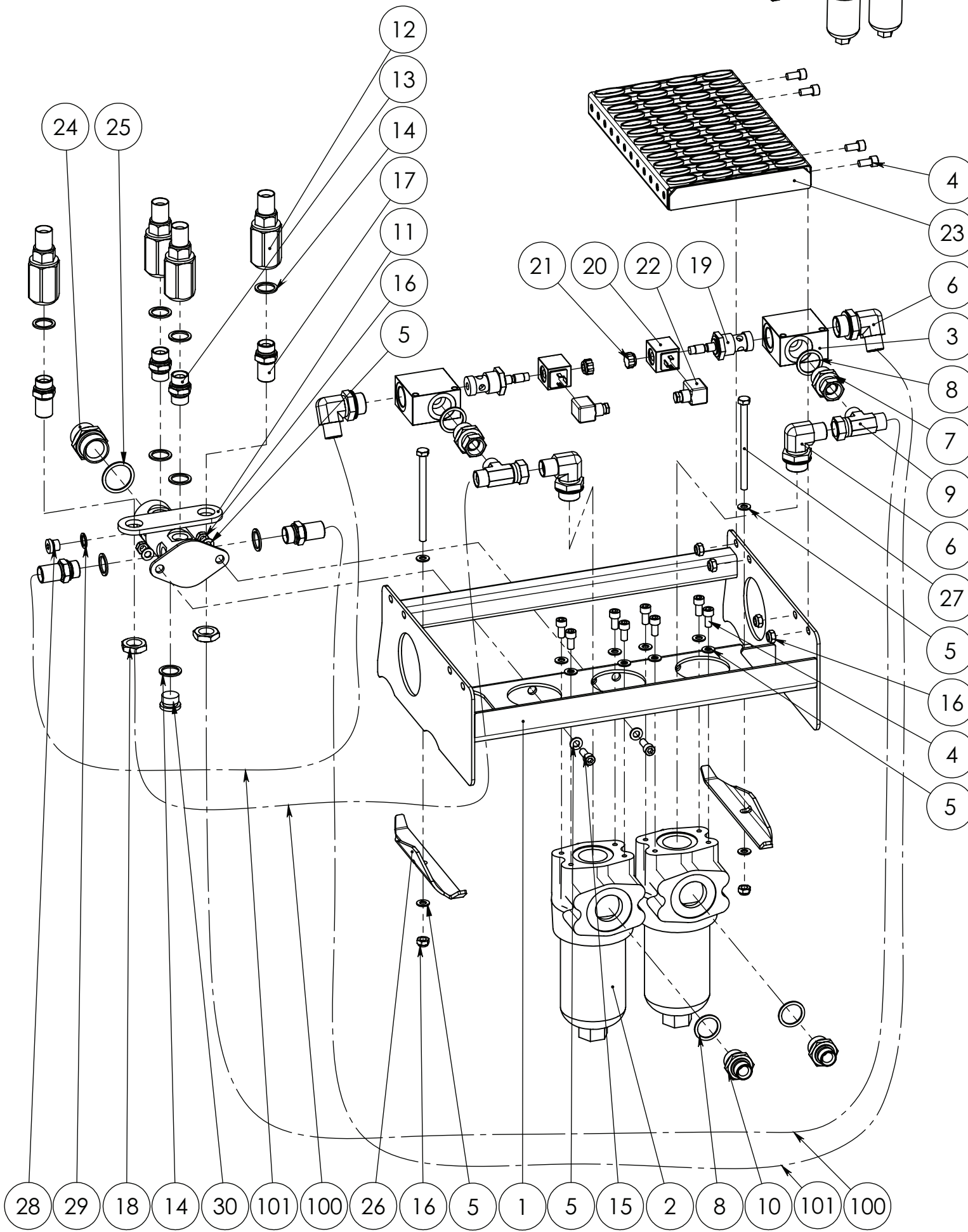
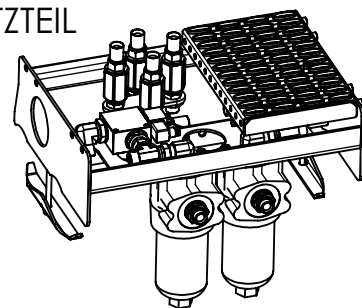


SPARE PART LIST

Item code	90022556	Revision	-
Title	TELINE	Date	26.05.2008
Specification	HALLINTALAITERUNKO ADAPTERI ASENNIUS		

Pos	Item code	Title	Specification	Dimensions	Pc	Amount	Unit	Nto Weight
1	90022251	KIINNIKE FÄSTE FASTENER BEFESTIGUNG	HITS		1			6.18
2	3010239	RUUVI SKRUV SCREW SCHRAUBE	KKR M12 X 25 8.8 ZN DIN 912		4			0
3	3030047	ALUSLEVY BRICKA WASHER UNTERLEGSCHEIBE	M12/I13 ZN DIN 126		8			0.01
4	3020005	MUTTERI MUTTER NUT MUTTER	KM M12 ZN DIN 985		4			0

90022688
TELINE





SPARE PART LIST

Item code	90022688	Revision	-
Title	TELINE	Date	06.08.2008
Specification	SUODATINTELIN VAPAAKIERTOVARUSTUKSELLA		

Pos	Item code	Title	Specification	Dimensions	Pc	Amount	Unit	Nto Weight
1	90022182	TELINE STÄLL RACK GESTELL	HITS		1			11.81
2	3090884	SUODATIN FILTER FILTER FILTER	FF7006.Q20.BS35.GL16		2			18.78
3	3120949	RUNKO RAM FRAME RAHMEN			2			1.79
4	3010192	RUUVI SKRUV SCREW SCHRAUBE	KKR M10 X 20 8.8 ZN DIN 912		12			0
5	3030065	ALUSLEVY BRICKA WASHER UNTERLEGSCHIBE	M10 ZN DIN 125		16			0
6	3090756	LIITIN KOPPLINGSSTYCKE CONNECTOR KONNEKTOR	26-04500-12-16		4			
7	3090438	LIITIN KOPPLINGSSTYCKE CONNECTOR KONNEKTOR	04010-16-12		2			0.25
8	3110173	TIIVISTE TÄTNIING SEAL DICHTUNG	USIT R-16 (R1")		4			0.01
9	3091123	LIITIN KOPPLINGSSTYCKE CONNECTOR KONNEKTOR	04880-12		2			0.34
10	3090364	LIITIN KOPPLINGSSTYCKE CONNECTOR KONNEKTOR	04000-12-16		2			0.21
11	90022177	PUTKI RÖR PIPE ROHR			1			3.06
12	3091121	LIITIN KOPPLINGSSTYCKE CONNECTOR KONNEKTOR	TEMA 7KR 3/4"/3/4"		4			
13	3090185	LIITIN KOPPLINGSSTYCKE CONNECTOR KONNEKTOR	04000-12		2			0.14
14	3110130	TIIVISTE TÄTNIING SEAL DICHTUNG	USIT R-12 (R3/4")		9			0.01
15	3010685	RUUVI SKRUV SCREW SCHRAUBE	KKR M10X25 8.8 DIN 912 ZN		2			0
16	3020004	MUTTERI MUTTER NUT MUTTER	KM M10 ZN DIN 985		8			0
17	3090298	LIITIN KOPPLINGSSTYCKE CONNECTOR KONNEKTOR	04000-12 EP		4			0.18
18	3020017	MUTTERI MUTTER NUT MUTTER	KM M24 ZN DIN 936		2			0
19	3120948	VENTIILLI VENTIL VALVE VENTIL			2			0.34
20	3120499	SOLENOIDI SOLENOID SOLENOID SOLENOID			2			0.46
21	3020182	MUTTERI MUTTER NUT MUTTER	M12		2			0.03
22	3180478	LIITIN KOPPLINGSSTYCKE CONNECTOR KONNEKTOR	192F0461		2			0.25
23	90013146	PORRAS TRAPSTEG STEP STUFE	HITS		1			2.25
24	3090315	LIITIN KOPPLINGSSTYCKE CONNECTOR KONNEKTOR	04000-20		1			0.37
25	3110849	TIIVISTE TÄTNIING SEAL DICHTUNG	USIT R-1 1/4"		1			0.01
26	90021522	LATTA PLATTA FLAT BAR FLACH		300x55	2			0.42
27	3010504	RUUVI SKRUV SCREW SCHRAUBE	KR M10 X 150 8.8 ZN DIN 931		2			0
28	3090210	TULPPA PLUGG PLUG DECKEL	HF-3/8"		1			0.03
29	3110040	TIIVISTE TÄTNIING SEAL DICHTUNG	USIT R-06 (R 3/8")		1			0
30	3090209	TULPPA PLUGG PLUG DECKEL	HF-3/4"		1			0.08
100	3132643	LETKU SLANG HOSE SCHLAUCH	5651-12/HI33-12/5601-12 L=750		1			
101	3132644	LETKU SLANG HOSE SCHLAUCH	5751-12/HI78-12/5701-12 L=750		2			